

Related Products: Tube Cutter **TK Series**

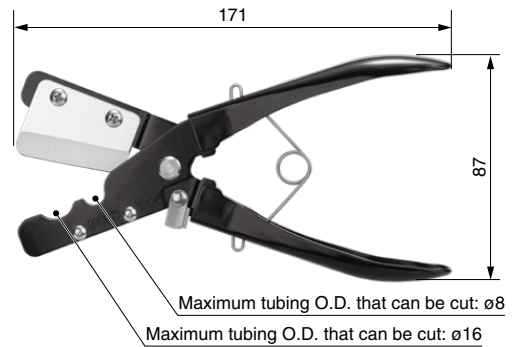


Tube Cutter: TK-6

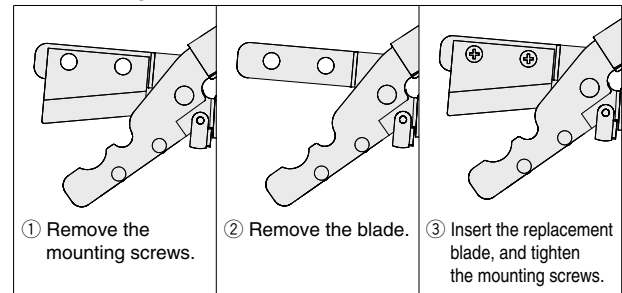
Perpendicular cutting
Air leakage due to cutting failure reduced
Blade is replaceable
Safety lock contained

- Note 1) Do not use it to cut the metallic materials such as electric wires.
 Note 2) Please refrain from touching the blade tip. Failure to do so may result in injury.
 When not in use, be sure to use the safety lock. However, the tube cutter may unlock due to impact or catching when putting it in or taking it out of your pocket, so be careful to avoid injury.
 Note 3) The blade can be easily replaced with a Phillips head screwdriver. Please refrain from touching the blade tip during replacement. Failure to do so may result in injury.
 Be aware that when loosening the mounting screws, the blade may fall out, causing injury.

Model	TK-6
Applicable tubing material	Nylon, Soft nylon, Polyurethane, and other soft plastic tubing
Maximum tubing O.D. that can be cut	16 mm or less
Weight	130 g
Replacement blade part no.	TK6KAEHA (5 replacement blades + 2 mounting screws)

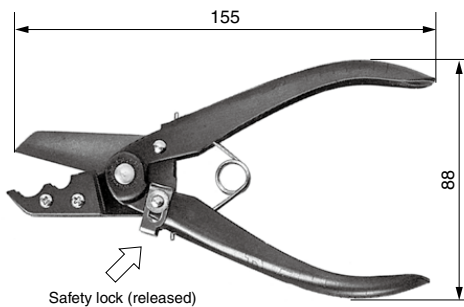


How to Replace the TK-6 Blade



Tube Cutter: TK-1

Perpendicular cutting
Reduced operating force
Safety lock contained

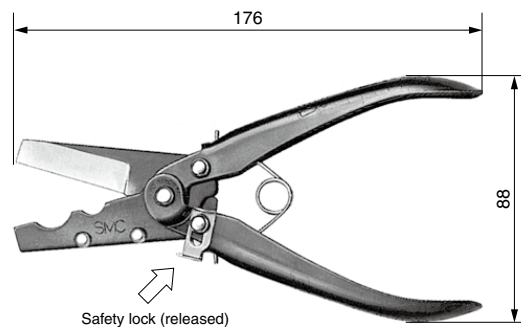


- Note 1) Do not use it to cut the metallic materials such as electric wires.
 Note 2) Please refrain from touching the blade tip. Failure to do so may result in injury.
 When not in use, be sure to use the safety lock. However, the tube cutter may unlock due to impact or catching when putting it in or taking it out of your pocket, so be careful to avoid injury.

Model	TK-1
Applicable tubing material	Nylon, Soft nylon, Polyurethane, and other soft plastic tubing
Applicable tubing O.D.	13 mm or less
Weight	140 g

Tube Cutter: TK-2

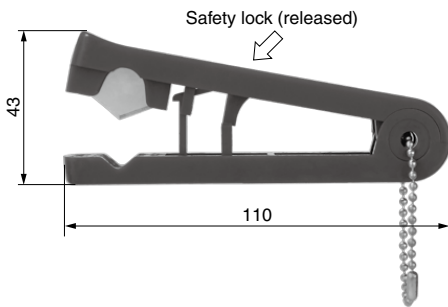
Possible to cut a tube up to 18 mm
Safety lock contained



- Note 1) Do not use it to cut the metallic materials such as electric wires.
 Note 2) Please refrain from touching the blade tip. Failure to do so may result in injury.
 When not in use, be sure to use the safety lock. However, the tube cutter may unlock due to impact or catching when putting it in or taking it out of your pocket, so be careful to avoid injury.

Model	TK-2
Applicable tubing material	Nylon, Soft nylon, Polyurethane, and other soft plastic tubing
Applicable tubing O.D.	18 mm or less
Weight	140 g

Tube Cutter: TK-3 (Useful type)
Safety lock contained



Note) Do not use it to cut the metallic materials such as electric wires.

Model	TK-3
Applicable tubing material	Nylon, Soft nylon, Polyurethane, and other soft plastic tubing
Applicable tubing O.D.	12 mm or less
Weight	32 g

Tube Cutter: TK-5

As this product is made of stainless steel it can be used inside clean rooms.

* However, this product is packaged regularly, not in double packaging.

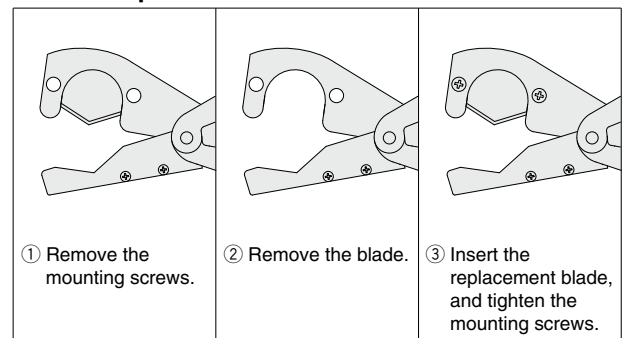
Safety lock contained



Note) The blade can be easily replaced with a Phillips head screwdriver. Please refrain from touching the blade tip during replacement. Failure to do so may result in injury. Be aware that when loosening the mounting screws, the blade may fall out, causing injury.

Model	TK-5
Applicable tubing material	Fluoropolymer, Polyolefin, and other soft plastic tubing
Applicable tubing O.D.	25 mm or less
Weight	100 g
Replacement blade part no.	TK-DPM00132 (5 replacement blades)

How to Replace the TK-5 Blade



KQ2

KQB2

KS
KX

KM

KF

M

H/DL
L/LL

KC

KK

KK130

DM

KDM

KB

KR

KA

KQG2

KG

KFG2

MS

KKA

KP

LQ

MQR

T

IDK