

# INNOVATION THE ONLY WAY TO STAY AHEAD



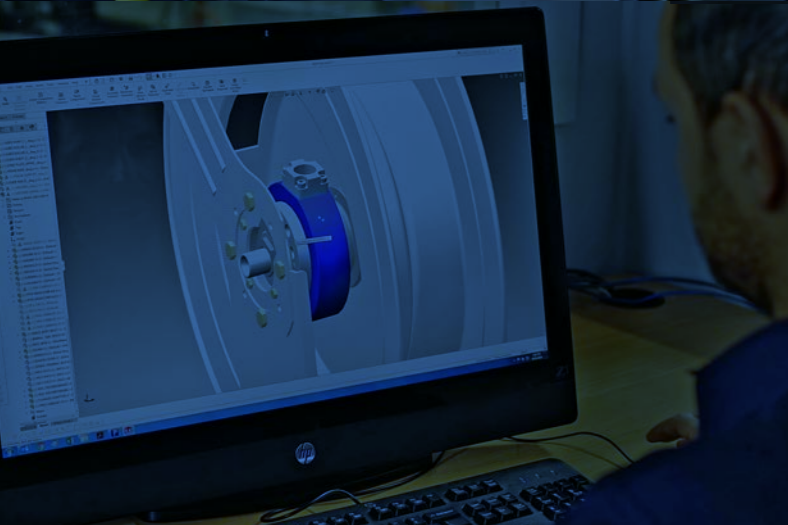
PRODUCT CATALOGUE

**MACNAUGHT Pty Ltd**  
41-49 Henderson Street  
Turrella, New South Wales  
Australia 2205

**T** +61 2 9567 0401  
**F** +61 2 9597 7773  
**E** [info@macnaught.com](mailto:info@macnaught.com)  
**W** [www.macnaught.com](http://www.macnaught.com)

For Macnaught warranty,  
terms and conditions see  
[macnaught.com/warranty](http://macnaught.com/warranty)

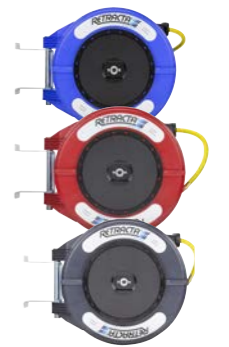
MP248\_rev3



**Retracta R3 Series - Poly Reels**

- Compressed Air
- Water - Industrial/Domestic
- Grease & Oil
- Gas & Chemical
- RetractaFLEX

- 6**
- 8
- 9
- 10
- 11
- 12



**Retracta F Series - Heavy Duty Reels**

- Heavy Duty Twin Pedestal
- Heavy Duty Cradle
- Heavy Metered Duty Twin Pedestal
- Heavy Metered Duty Cradle

- 14**
- 15
- 16
- 18
- 19



**Retracta E Series - Enclosed Reels**

- 20**



**Retracta H Series - AdBlue/DEF Reels**

- 21**



**Retracta In-store Product Support**

- 22**

**Retracta Digital Product Support**

- 23**



## RETRACTA IS THE BENCHMARK IN INDUSTRIAL STRENGTH RETRACTABLE HOSE REELS.

Over the decades the original Retracta poly reel has built an enviable reputation worldwide for performance and reliability. Through this, and with a long history of innovation and design, Macnaught has now developed an exciting new range of Retracta reels specifically designed and engineered for the most demanding industrial applications and environments.

Innovation has always been at the centre of the Macnaught success story and it's the platform for developing our expanded Retracta range.

At Macnaught we call it "Innovation by design".

Because we know that innovation is the only way to stay ahead.

To see innovation in action, find our exciting new range of Retracta reels at [retracta.com](http://retracta.com)





## Innovation by design.

For 70 years, continual innovation has been the key to Macnaught's success. So, it's no surprise that through Macnaught's principle of "Innovation by design" that a new and exciting range of Retracta reels has been developed.

For decades now the original Retracta poly reel has built an enviable worldwide reputation for performance, reliability and safety. With this new suite of products, Retracta continues to set the benchmark for industrial strength, retractable hose reels. This industry leading range now incorporates multiple reel constructions, specifically designed and engineered for the most demanding industrial applications and environments.



The iconic Retracta poly reels have been reimagined and updated; and in a world first, the new Retracta R3 range includes an adjustable control return system. The patented RACR® 'Retracta Adjustable Control Return' system is supplied on all R3-P+ models. The RACR® system offers true control by allowing the user to set the speed of return to suit their individual requirements.



Return' system is supplied on all R3-P+ models. The RACR® system offers true control by allowing the user to set the speed of return to suit their individual requirements.

Adding to the stable of truly innovative products is the new range of RetractaFLEX hoses, available on a selection of our R3 Series reels. Featuring an innovative hybrid polymer that allows for the ultimate in flexibility and kink resistance under pressure.

### RetractaFLEX



The Retracta family has also expanded to include the sleek E-Series range of enclosed reels for automotive workshop gantries; the Hybrid H-Series steel framed twin pedestal reels which feature a robust ABS drum; and in another world first, the heavy duty F-Series powder coated steel pedestal and cradle frame reels, which include a unique series of integrated 'Metered' models.



New design high-wear resistant mouth

Increased internal capacity

Upgraded main spring (TRC®)

Fully serviceable

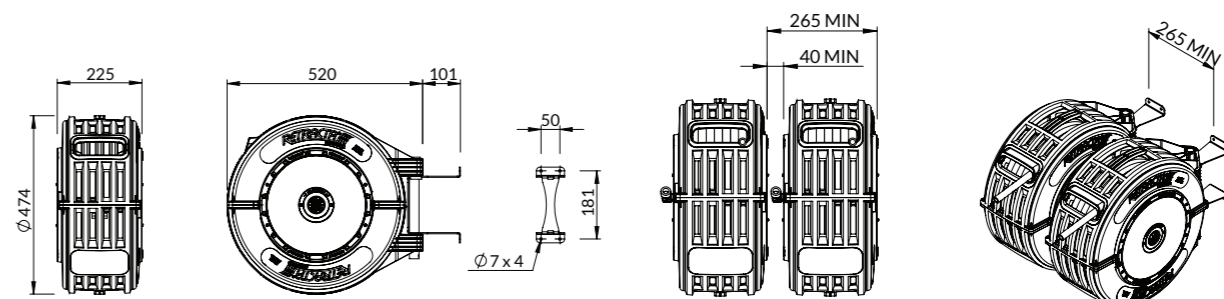
Integrated handle

Wider mounting bracket

Overrun protection on spring

Unique patented RACR®

- RACR®**  
 Retracta Adjustable Control Return system available on R3-P+ allows user speed control of returning hose.
- Upgraded Main Spring TRC®**  
 Higher capacity allowing more turns. Increased service life. Precise German engineering (Texture Rolled Carbon®)
- Integrated Handle**  
 Sleeker profile but retains functionality.
- High wear resistant mouth: ProGlide™**  
 Reduces friction between hose and reel mouth lessening wear and reducing fatigue.
- Increased internal capacity**  
 Reduces hose build-up and allows for longer hose lengths.
- Safe tensioning mechanism**  
 Uni-directional ratchet to stop main spring release while tensioning. No special tools required.
- Wider mounting bracket**  
 Sturdier, more stable support for reel. Simple mounting design.
- Overrun protection on spring**  
 Prevents spring damage on drum overrun.
- Fully serviceable**  
 Repair kits available. No special tools required. 10 year guarantee on parts availability.



## COMPRESSED AIR

**10**  
YEARS  
MACNAUGHT  
WARRANTY

### R3 - PREMIUM + (All our premium can be fitted with RACR)

Carrying on the tradition of Retracta's premium offer, the **R3-P+** retains multiple case colour options, premium grade hoses and a wide range of hose size and length options. Also the patented **RACR®** 'Retracta Adjustable Control Return' system is supplied on all **R3-P+** models.

#### RACR benefits:

- Adjustable hose return speed
- Up to 85% speed reduction
- Eliminate hose whip hazard
- Essential safety for personnel and equipment

This world first adjustable control return system offers not only the safety of slowing the return speed of the hose when free to return, but goes beyond the simple one size fits all 'slow return' approach of noisy, fast wearing braking systems. Importantly, the **RACR®** system offers true control by allowing the user to set the speed of return to suit their individual requirements.



### R3 - PREMIUM

AIR 3/8"	Hose Size (ID)	Hose Material	Application	Working Pressure	Max Temp.	Reel Inlet	Hose Outlet	Hose Length	Color	Model	Fitted with RACR
	10mm (3/8")	Premium Reinforced PVC	Compressed Air	275psi	60°C (140°F)	3/8" BSP(F)	1/4" BSP(M)	20m (65ft)	Dark Grey	AR320D-01	ARC320D-01
									Red	AR320R-01	ARC320R-01
									Blue	AR320B-01	ARC320B-01

AIR 1/2"	Hose Size (ID)	Hose Material	Application	Working Pressure	Max Temp.	Reel Inlet	Hose Outlet	Hose Length	Color	Model	Fitted with RACR
	12mm (1/2")	Premium Reinforced PVC	Compressed Air	275psi	60°C (140°F)	3/8" BSP(F)	3/8" BSP(M)	15m (50ft)	Dark Grey	AR415D-01	ARC415D-01
									Red	AR415R-01	ARC415R-01
									Blue	AR415B-01	ARC415B-01
								20m (65ft)	Dark Grey	AR420D-01	ARC420D-01
									Red	AR420R-01	ARC420R-01
									Blue	AR420B-01	ARC420B-01

### R3 - STANDARD

AIR/WATER 3/8"	Hose Size (ID)	Hose Material	Application	Working Pressure	Max Temp.	Reel Inlet	Hose Outlet	Hose Length	Color	Model
	10mm (3/8")	Reinforced PVC	Compressed Air / Water	250psi	60°C (140°F)	3/8" BSP(F)	1/4" BSP(M)	15m (50ft)	Blue	AW315B-01
								20m (65ft)	Blue	AW320B-01

AIR/WATER 1/2"	Hose Size (ID)	Hose Material	Application	Working Pressure	Max Temp.	Reel Inlet	Hose Outlet	Hose Length	Color	Model
	12mm (1/2")	Reinforced PVC	Compressed Air / Water	250psi	60°C (140°F)	3/8" BSP(F)	3/8" BSP(M)	15m (50ft)	Blue	AW415B-01
								20m (65ft)	Blue	AW420B-01

#### Applications:

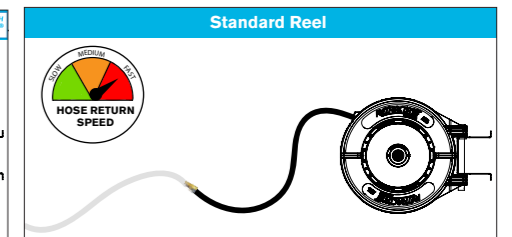
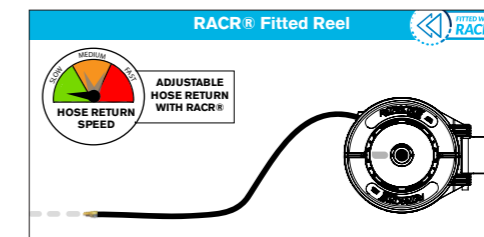
Automotive industry, automotive workshops, transport workshop, machine/factory workshop, petrol station (eg BP) regional farming centre.

## WATER - INDUSTRIAL/DOMESTIC

**10**  
YEARS  
MACNAUGHT  
WARRANTY

### R3 - PREMIUM + (All our premium can be fitted with RACR)

The key feature to the Premium + range is the addition of **RACR®** (Retracta Adjustable Control Return). Its unique design provides an adjustable rewind control, enabling the user to set a safe hose return speed for individual requirements. The **RACR®** reduces the hose speed up to 85% pending on user preference. The slower the hose speed, the safer the overall work environment - as the return speed avoids damages caused by the hose whip. Look for the when choosing your reel.



### R3 - PREMIUM

GARDEN/HORTICULTURE	Hose Size (ID)	Hose Material	Application	Working Pressure	Max Temp.	Reel Inlet	Hose Outlet	Hose Length	Color	Model	Fitted with RACR
	12mm (1/2")	Retracta FLEX Hybrid Polymer	Garden/Horticulture	125 psi	60°C	Snap-on fitting (Inc feeder hose)	Snap-on fitting (Inc spray nozzle)	18m (60ft)	Green	DR418G-03	DRC418G-03
									Beige	DR418P-03	DRC418P-03

HOT WATER	Hose Size (ID)	Hose Material	Application	Working Pressure	Max Temp.	Reel Inlet	Hose Outlet	Hose Length	Color	Model	Fitted with RACR
	12mm (1/2")	High Temp Chemical Resistant PVC	Hot Water	290 psi at 20°C 100psi at 80°C	85°C (185°F)	1/2" BSP(F)	1/2" BSP(M)	15m (50ft)	Red	HW415R-01	HWC415R-01
								20m (65ft)	Red	HW420R-01	HWC420R-01

COLD WATER	Hose Size (ID)	Hose Material	Application	Working Pressure	Max Temp.	Reel Inlet	Hose Outlet	Hose Length	Color	Model	Fitted with RACR
	12mm (1/2")	Premium Reinforced PVC	Cold Water	150 psi	60°C (140°F)	1/2" BSP(F)	Brass snap-on fitting (Inc. nozzle)	15m (50ft)	Blue	CW415B-01	CWC415B-01
								20m (65ft)	Blue	CW420B-01	CWC420B-01

HIGH PRESSURE	Hose Size (ID)	Hose Material	Application	Working Pressure	Max Temp.	Reel Inlet	Hose Outlet	Hose Length	Color	Model	Fitted with RACR
	10mm (3/8")	Steel Wire Braided Rubber	High Pressure Water	3000 psi	100°C (212°F)	3/8" BSP(F)	3/8" BSP(M)	20m (65ft)	Red	HP320R-01	HPC320R-01

#### Applications:

Automotive industry, automotive workshop, welding industry, machine workshop, metal fabrication workshop, regional farming centre, farming industry.

# Retracta R3 Series

## GREASE & OIL

**10**  
YEARS  
MACNAUGHT  
WARRANTY\*

### R3 - PREMIUM + (All our premium can be fitted with RACR)

Carrying on the tradition of Retracta's premium offer, the **R3-P+** retains multiple case colour options, premium grade hoses and a wide range of hose size and length options. Also the patented **RACR**® 'Retracta Adjustable Control Return' system is supplied on all **R3-P+** models.

#### RACR benefits:

- Adjustable hose return speed
- Up to 85% speed reduction
- Eliminate hose whip hazard
- Essential safety for personnel and equipment

This world first adjustable control return system offers not only the safety of slowing the return speed of the hose when free to return, but goes beyond the simple one size fits all 'slow return' approach of noisy, fast wearing braking systems. Importantly, the **RACR**® system offers true control by allowing the user to set the speed of return to suit their individual requirements.



### R3 - PREMIUM

GREASE	Hose Size (ID)	Hose Material	Application	Working Pressure	Max Temp.	Reel Inlet	Hose Outlet	Hose Length	Color	Model	
	6mm (1/4")	Steel Wire Braided Rubber (SAE100R2)	Grease	5000 psi	100°C (212°F)	1/4" BSP(F)	1/4" BSP(M)	15m (50ft)	Dark Grey	GR215D-01	GRC215D-01
									Black	GR215K-01	GRC215K-01

OIL	Hose Size (ID)	Hose Material	Application	Working Pressure	Max Temp.	Reel Inlet	Hose Outlet	Hose Length	Color	Model	
	12mm (1/2")	Double Reinforced Rubber (SAE100R17)	Oil	1000 psi	90°C (194°F)	1/2" BSP(F)	1/2" BSP(M)	15m (50ft)	Dark Grey	OMP415D-01	OMPC415D-01
									Blue	OMP415B-01	OMPC415B-01

### R3 - STANDARD

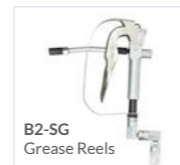
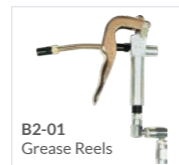
GREASE	Hose Size (ID)	Hose Material	Application	Working Pressure	Max Temp.	Reel Inlet	Hose Outlet	Hose Length	Color	Model
	6mm (1/4")	Steel Wire Braided Rubber (SAE100R2)	Grease	5000 psi	100°C (212°F)	1/4" BSP(F)	1/4" BSP(M)	10m (32ft)	Blue	GR210B-01

OIL	Hose Size (ID)	Hose Material	Application	Working Pressure	Max Temp.	Reel Inlet	Hose Outlet	Hose Length	Color	Model
	10mm (3/8")	Steel Wire Braided Rubber (SAE100R1)	Oil	1000 psi	90°C (194°F)	1/2" BSP(F)	1/2" BSP(M)	10m (32ft)	Blue	OMP310B-01

#### Applications:

Automotive industry, automotive workshops, transport workshop, machine/factory workshop, petrol station (eg BP) regional farming centre. mining service centre.

#### Recommended to be used with:



## GAS & CHEMICAL

**10 YEARS**  
MACNAUGHT  
WARRANTY

### R3 - PREMIUM + (All our premium can be fitted with RACR)

Carrying on the tradition of Retracta's premium offer, the **R3-P+** retains multiple case colour options, premium grade hoses and a wide range of hose size and length options. Also the patented **RACR**® 'Retracta Adjustable Control Return' system is supplied on all **R3-P+** models.

#### RACR benefits:

- Adjustable hose return speed
- Up to 85% speed reduction
- Eliminate hose whip hazard
- Essential safety for personnel and equipment

This world first adjustable control return system offers not only the safety of slowing the return speed of the hose when free to return, but goes beyond the simple one size fits all 'slow return' approach of noisy, fast wearing braking systems. Importantly, the **RACR**® system offers true control by allowing the user to set the speed of return to suit their individual requirements.



### R3 - PREMIUM

OXY/ACET	Hose Size (ID)	Hose Material	Application	Working Pressure	Max Temp.	Reel Inlet	Hose Outlet	Hose Length	Color	Model	Fitted with RACR
	Twin 5mm (3/16")	Reinforced Rubber (AS1335)	Oxy/Acet	175 psi	80°C (176°F)	Gas Thread UNF(M)	Gas Thread UNF(F)	15m (50ft)	Blue	OA215B-04	OAC215B-04
OXY/LPG	Hose Size (ID)	Hose Material	Application	Working Pressure	Max Temp.	Reel Inlet	Hose Outlet	Hose Length	Color	Model	Fitted with RACR
	Twin 5mm (3/16")	Reinforced Rubber (AS1335)	Oxy/LPG	175 psi	60°C (140°F)	Gas Thread UNF(M)	Gas Thread UNF(F)	15m (50ft)	Black	OG215K-04	OGC215K-04
CHEMICAL	Hose Size (ID)	Hose Material	Application	Working Pressure	Max Temp.	Reel Inlet	Hose Outlet	Hose Length	Color	Model	Fitted with RACR
	10mm (3/8")	Chemical Resistant PVC	Weedicide/Pesticide	290 psi	60°C (140°F)	3/8" BSP(F)	1/4" BSP(M)	16m (52ft)	Red	WD316R-01	WDC316R-01
COOLANT	Hose Size (ID)	Hose Material	Application	Working Pressure	Max Temp.	Reel Inlet	Hose Outlet	Hose Length	Color	Model	Fitted with RACR
	10mm (3/8")	Reinforced PVC	Coolant	250 psi	60°C (140°F)	3/8" BSP(F)	1/4" BSP(M)	20m (65ft)	Dark Grey	CL320D-01	CLC320D-01

#### Applications:

Automotive industry, automotive workshop, welding industry, machine workshop, metal fabrication workshop, regional farming centre, farming industry.

Recommended to be used with:



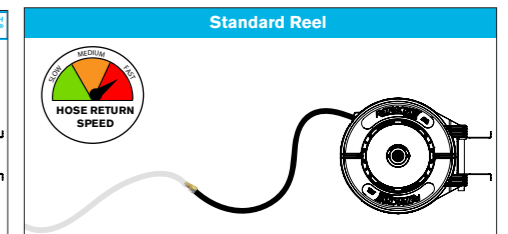
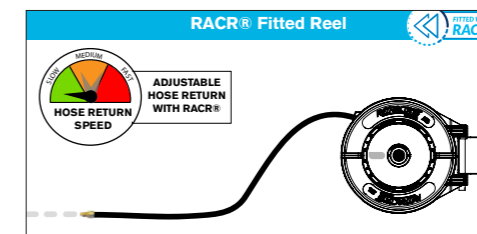
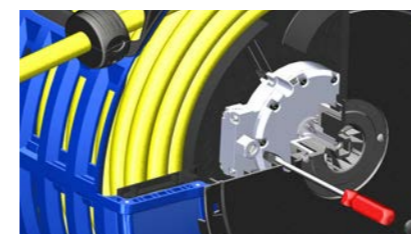
CCG-01

## SPECIALTY REELS

**10 YEARS**  
MACNAUGHT  
WARRANTY

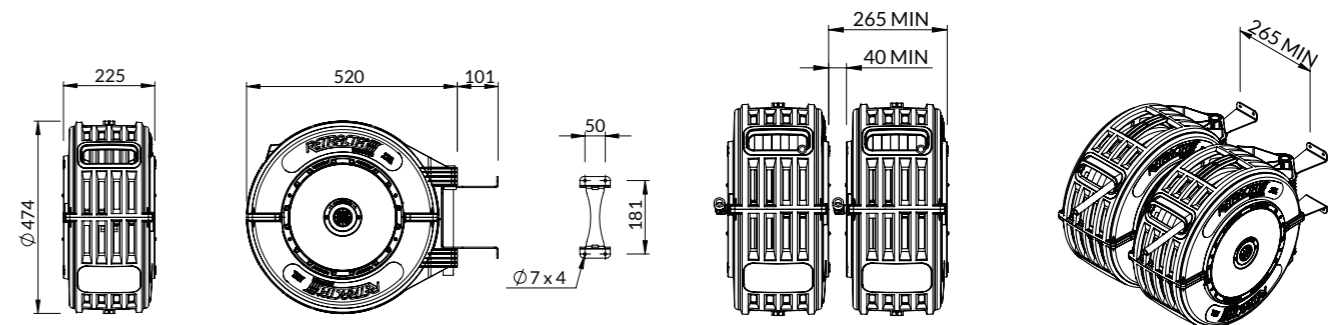
### R3 - PREMIUM + (All our premium can be fitted with RACR)

The key feature to the Premium + range is the addition of **RACR**® (Retracta Adjustable Control Return). Its unique design provides an adjustable rewind control, enabling the user to set a safe hose return speed for individual requirements. The **RACR**® reduces the hose speed up to 85% pending on user preference. The slower the hose speed, the safer the overall work environment - as the return speed avoids damages caused by the hose whip. Look for the when choosing your reel.



### R3 - PREMIUM

ARGON	Hose Size (ID)	Hose Material	Application	Working Pressure	Max Temp.	Reel Inlet	Hose Outlet	Hose Length	Color	Model
	5mm (3/16")	Reinforced Rubber (AS1335)	Argon	200 psi	75°C (167°F)	Gas Thread UNF(M)	Gas Thread UNF(F)	20m (65ft)	Dark Grey	ARG220D-04
LPG	Hose Size (ID)	Hose Material	Application	Working Pressure	Max Temp.	Reel Inlet	Hose Outlet	Hose Length	Color	Model
	5mm (3/16")	Reinforced Rubber (AS1335)	Propane	200 psi	75°C (167°F)	Gas Thread UNF(M)	Gas Thread UNF(F)	20m (65ft)	Black	LPG220K-04
AIR/WATER F.R.A.S (Fire Resistant Anti-Static)	Hose Size (ID)	Hose Material	Application	Working Pressure	Max Temp.	Reel Inlet	Hose Outlet	Hose Length	Color	Model
	12mm (1/2")	Reinforced PVC (F.R.A.S.)	Compressed Air/Water	300 psi	60°C (140°F)	1/2" BSP(F)	1/2" BSP(M)	15m (50ft)	Dark Grey	FRAS415D-01



#### Applications:

Automotive industry, automotive workshop, welding industry, machine workshop, metal fabrication workshop, regional farming centre, farming industry.

## RetractaFLEX PREMIUM AIR & WATER HOSE REEL

Tangled hose lines will be a problem of the past. The NEW RetractaFLEX features an innovative hybrid polymer that allows for the ultimate in flexibility and kink resistance under pressure.

Fitted with a bend restrictor at the hose end, the UV stabilised, abrasion-resistant outer layer provides maximum durability.



Great flexibility within temperature range

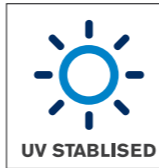
Kink-free under pressure

Light weight and easy to handle

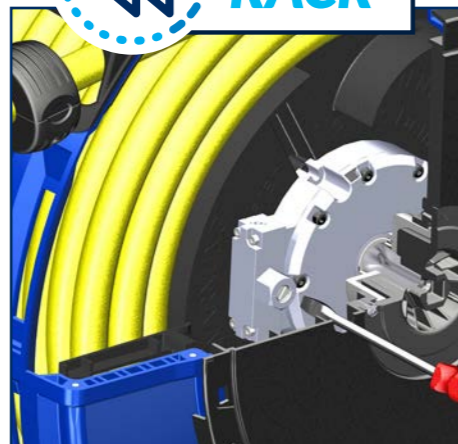
HI-VIS fluorescent colours for workplace safety

Memory free hose lays flat on the floor

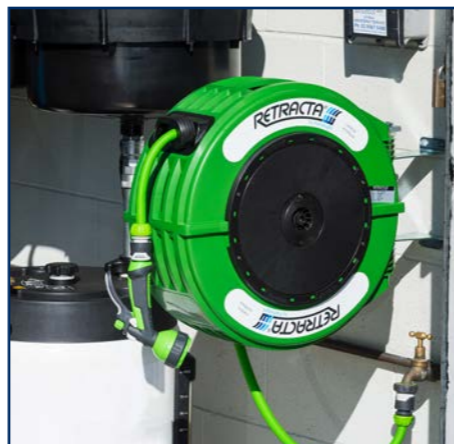
Bend restrictor included\*



FOR WORKSHOP SAFETY  
HI-VIS FLUORESCENT COLOURS



OPTIMISE SAFETY WITH  
ADJUSTABLE REWIND SPEEDS

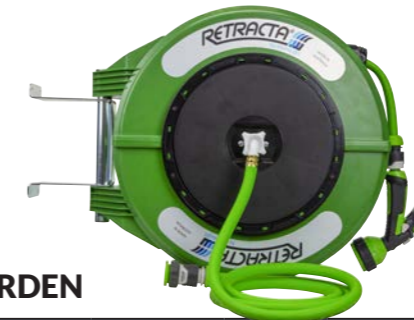


UV STABILISED FOR HARSH  
AUSTRALIAN WEATHER CONDITIONS



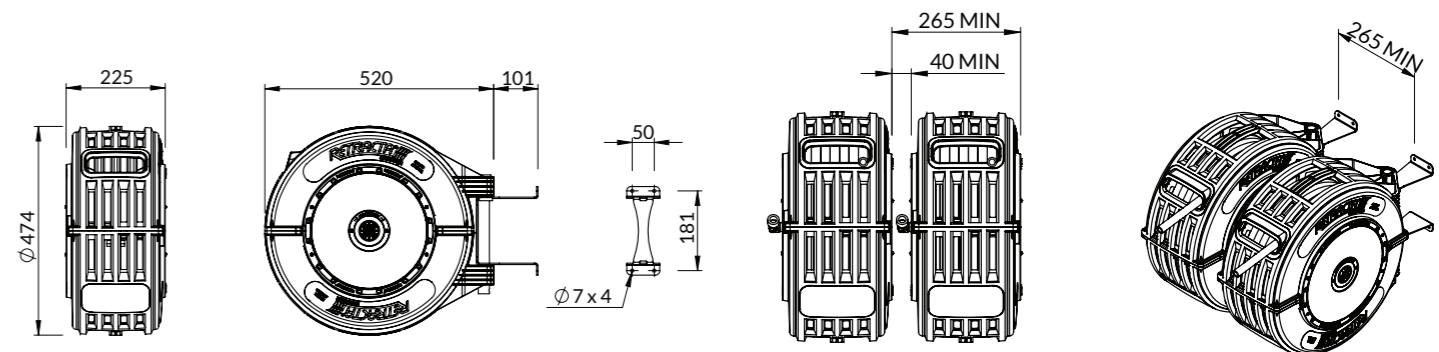
### COMPRESSED AIR/WATER

Retracta Flex Compressed Air/Water	Hose Size (ID)	Hose	Application	Working Pressure	Max Temp.	Reel Inlet	Hose Outlet	Hose Length	Hose Color	Case Colour	Model	FITTED WITH RACR
	10mm (3/8")	Retracta FLEX Hybrid Polymer	Compressed Air / Water	300 psi	60°C (140°F)	3/8" BSP(F)	1/4" BSP(M)	20m (65ft)	Orange	Dark Grey	RO320D-01	ROC320D-01
										Blue	RO320B-01	ROC320B-01
									Yellow	Dark Grey	RY320D-01	RYC320D-01
										Blue	RY320B-01	RYC320B-01
	12mm (1/2")	Retracta FLEX Hybrid Polymer	Compressed Air / Water	300 psi	60°C (140°F)	3/8" BSP(F)	3/8" BSP(M)	20m (65ft)	Orange	Dark Grey	RO420D-01	ROC420D-01
										Blue	RO420B-01	ROC420B-01
									Yellow	Dark Grey	RY420D-01	RYC420D-01
										Blue	RY420B-01	RYC420B-01



### HORTICULTURE/GARDEN

Retracta Flex Horticulture / Garden	Hose Size (ID)	Hose	Application	Working Pressure	Max Temp.	Reel Inlet	Hose Outlet	Hose Length	Hose Color	Case Colour	Model	FITTED WITH RACR
	12mm (1/2")	Retracta FLEX Hybrid Polymer	Horticulture / Garden	150 psi	60°C (140°F)	Hose and Tap Connector	Spray Nozzle Gun	18m (60ft)	Green	Green	DR418G-03	DRC418G-03
										Beige	DR418P-03	DRC418P-03



#### Applications:

Automotive industry, automotive workshops, Transport workshop, Machine/Factory workshop, Petrol station (eg BP) Regional farming centre.



# Retracta F Series HD Twin Pedestal

## F-SERIES PEDESTAL

Built with demanding Australian conditions in mind, the heavy duty powder coated steel F-Series Twin Pedestal hose reel boasts sealed bearings, stainless steel shafts, solid three sector ratchets, Viton® O'rings, quality hoses and corrosion resistant fixings. A narrow face dimension has been maintained to allow multiple reels to be fitted in tight locations such as the mine site service vehicle. Industry common footprints allow for minimum changes to cabinet design. Common threads are used at inlet, outlet and hose fittings and spare parts are available.



Quality hose and fittings

Stainless Steel shaft\* for multi fluid use

Fully repairable

High strength powder coated steel construction for durability

Viton® O'rings

Adjustable roller guide arm

Sealed bearings

### FEATURES AND BENEFITS

#### High quality hose and fitting

- Reels are fitted with industrial grade, model specific hydraulic hose selected for durability and suitable for most common applications.

#### Stainless Steel shaft\* for multi fluid use

- All F-Series HD reels come standard with Stainless Steel shafts making the reel suitable for multiple applications from oils and grease to water and coolants
- Grease specific 3/8" high pressure model has zinc coated MS shaft.

#### Fully repairable

- Replacement parts are available.

#### High strength powder coated steel construction for durability

- Heavy gauge steel construction for use in arduous mobile conditions.
- Protected from corrosion through quality powder coating.

#### Adjustable roller guide arm

- Adjustable arm allows for multiple position mounting.

#### Sealed bearings

- Sealed for life against dust and water ingress.

#### Applications:

Automotive industry, Transport workshop, Truck workshop, Regional farming centre, Farming industry, mining service centre, mining underground.



## F-SERIES HEAVY DUTY TWIN PEDESTAL

### GREASE

Model	Hose Size (ID)	Hose Material	Application	Hose Length	Working Pressure	Reel Inlet	Hose Outlet	O'ring Seal	Swivel Shaft	Swivel Housing	Reel Dimension
FHG0915-01	10mm (3/8")	3 Steel Wire Braided Rubber	Grease	15m (50ft)	5,000 psi	3/8" BSP(F) (Inc feeder hose)	3/8" BSP(M)	Viton®	Zinc coated mild steel	Zinc Coated Brass	Reel 1

### AIR/WATER

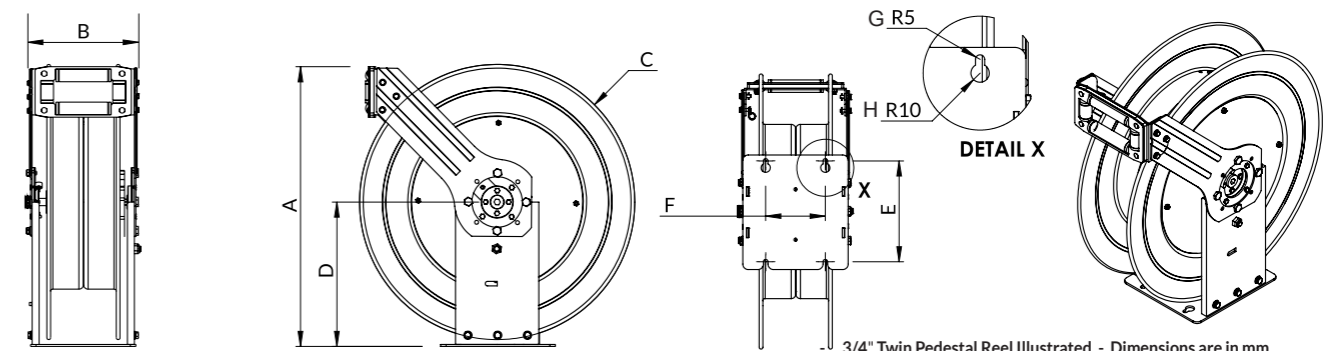
Model	Hose Size (ID)	Hose Material	Application	Hose Length	Working Pressure	Reel Inlet	Hose Outlet	O'ring Seal	Swivel Shaft	Swivel Housing	Reel Dimension
FHA1220-01	12mm (1/2")	Premium Reinforced PVC	Air/Water	20m (65ft)	250 psi	1/2" BSP(F) (Inc feeder hose)	1/2" BSP(M)	Viton®	Stainless Steel	Zinc Coated Brass	Reel 2

### OIL/DIESEL

Model	Hose Size (ID)	Hose Material	Application	Hose Length	Working Pressure	Reel Inlet	Hose Outlet	O'ring Seal	Swivel Shaft	Swivel Housing	Reel Dimension
FHO1215-01	12mm (1/2")	Steel Wire Braided Rubber (SAE100R1)	Oil/Diesel	15m (50ft)	2,000 psi	1/2" BSP(F) (Inc feeder hose)	1/2" BSP(M)	Viton®	Stainless Steel	Zinc Coated Brass	Reel 1
FHO1915-01	19mm (3/4")	Steel Wire Braided Rubber (SAE100R2)			1,450 psi	3/4" BSP(F) (Inc feeder hose)	3/4" BSP(M)				Reel 2

### BARE REEL

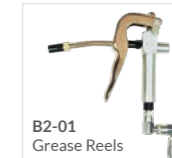
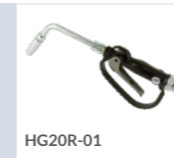
Model	Hose Size (ID)	Hose Material	Application	Hose Capacity	Working Pressure	Reel Inlet	Hose Outlet	O'ring Seal	Swivel Shaft	Swivel Housing	Reel Dimension
FHM1200-01	12mm (1/2")	-	Air/Water/Oil	15m (50ft)	2,000 psi	1/2" BSP(F)	1/2" BSP(M)	Viton®	Stainless Steel	Zinc Coated Brass	Reel 1
FHM1900-01	19mm (3/4")	-			1,450 psi	3/4" BSP(F)	3/4" BSP(M)				Reel 2



3/4" Twin Pedestal Reel Illustrated - Dimensions are in mm

Reel Dimension	A	B	C	D	E	F	G	H	Min Bend Radius
Reel 1	550	180	Ø515	280	216	130	R4.8	R10	140
Reel 2	610	248	Ø600	315	220	130	R5	R10	190

Recommended to be used with:



HG20R-01

HG20R-012E-01

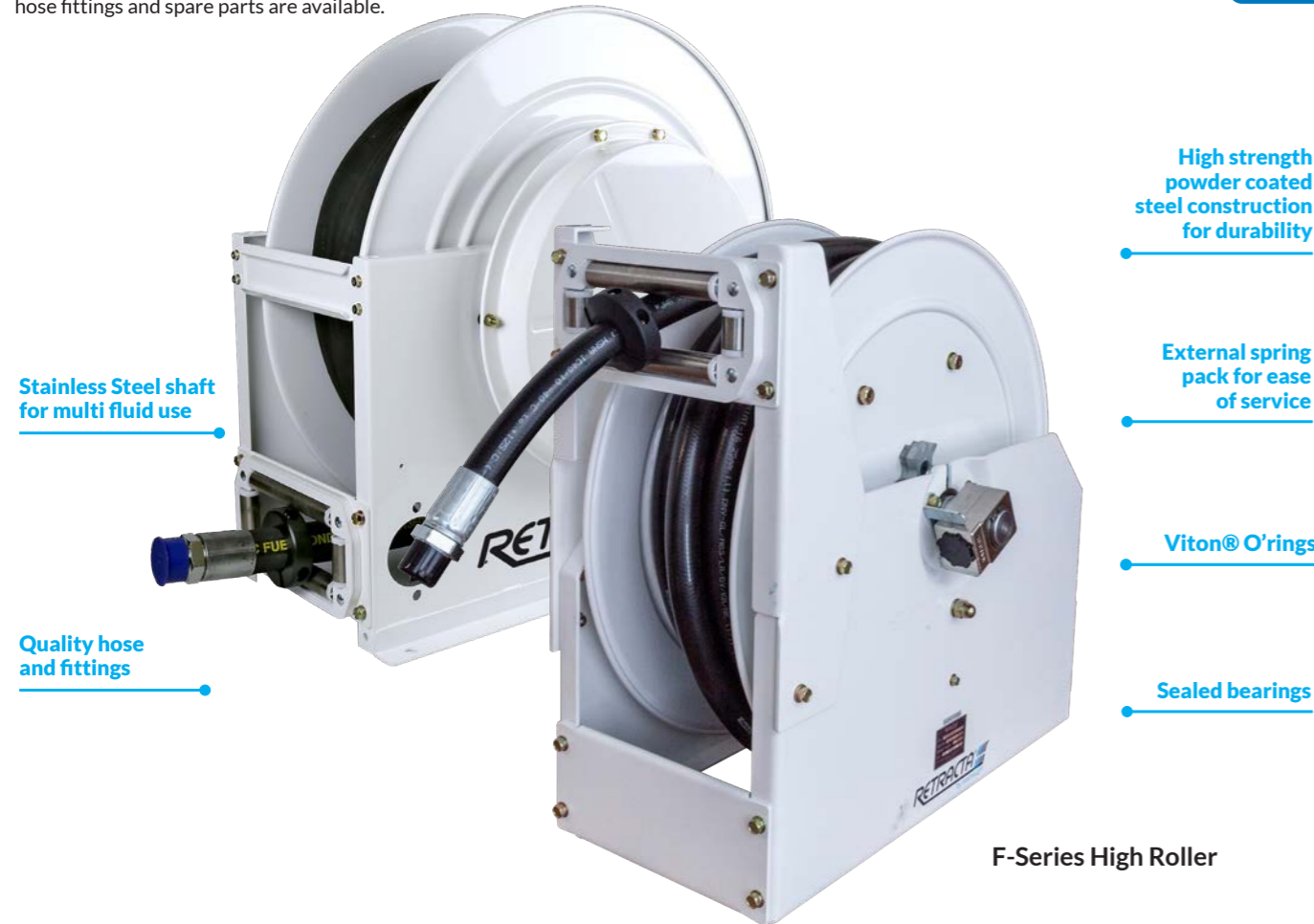
HG60-01

B2-01 Grease Reels

B2-SG Grease Reels

## F-SERIES CRADLE

Built with demanding Australian conditions in mind, the heavy duty powder coated steel F-Series Cradle hose reel boasts sealed bearings, stainless steel shafts, solid three sector ratchets, Viton O'rings, quality hoses and corrosion resistant fixings. A narrow face dimension has been maintained to allow multiple reels to be fitted in tight locations such as the mine site service vehicle. Industry common footprints allow for minimum changes to cabinet design. Common threads are used at inlet, outlet and hose fittings and spare parts are available.



F-Series High Roller

### FEATURES AND BENEFITS

#### High quality hose and fitting

- Reels are fitted with industrial grade, model specific hydraulic hose selected for durability and suitable for most common applications.
- Replacement parts are available.

#### Stainless Steel shaft\* for multi fluid use

- All F-Series HD reels come standard with Stainless Steel shafts making the reel suitable for multiple applications from oils and grease to water and coolants

#### Fully repairable

- Replacement parts are available.

#### High strength powder coated steel construction for durability

- Heavy gauge steel construction for use in arduous mobile conditions.
- Protected from corrosion through quality powder coating.

#### Sealed bearings

- Sealed for life against dust and water ingress.

**Applications:**  
Automotive industry, Transport workshop, Truck workshop, Regional farming centre, Farming industry, mining service centre, mining underground.



## F-SERIES HEAVY DUTY CRADLE

### AIR/WATER

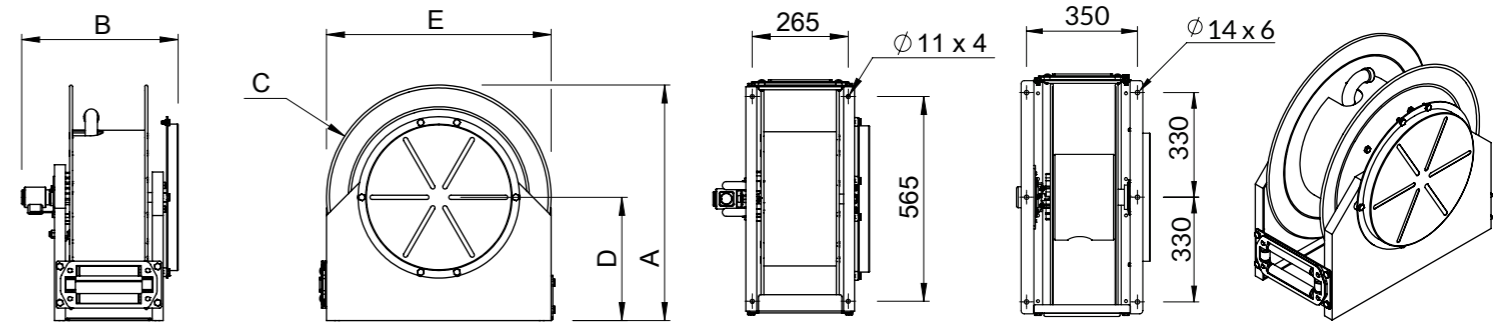
Model	High Roller Model	Hose size (ID)	Hose Material	Application	Hose Length	Working Pressure	Reel Inlet	Hose Outlet	O'ring Seal	Swivel Shaft	Swivel Housing	Reel Dimension
FHA1920-01	FRW1920-01	19mm (3/4")	Premium Reinforced PVC	Air/Water	20m (65ft)	250 psi	3/4" BSP(F)	3/4" BSP(M)	Viton®	Stainless Steel	Zinc Coated Brass	Reel 1
FCW2515-01	FRW2515-01	25mm (1")			15m (50ft)		1" BSP(F)	1" BSP(M)				

### OIL/DIESEL

Model	High Roller Model	Hose size (ID)	Hose Material	Application	Hose Length	Working Pressure	Reel Inlet	Hose Outlet	O'ring Seal	Swivel Shaft	Swivel Housing	Reel Dimension
FCD2515-01	FRD2515-01	25mm (1")	Steel Wire Braided Rubber (SAE100R1)	Oil/Diesel	15m (50ft)	1000 psi	1" BSP(F)	1" BSP(M)	Viton®	Stainless Steel	Zinc Coated Brass	Reel 1
FCD3815-02	FRD3815-02	38mm (1-1/2")	Steel Wire Braided Rubber (SAE100R1)			500 psi	1-1/2" NPT(F)	1-1/2" NPT(M)				Reel 2

### BARE REEL

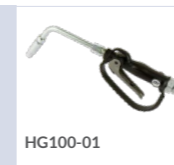
Model	High Roller Model	Nominal Hose size (ID)	Hose Material	Application	Hose Capacity	Working Pressure	Reel Inlet	Swivel Outlet	O'ring Seal	Swivel Shaft	Swivel Housing	Reel Dimension
FCM2500-01	FRM2515-01	25mm (1")	-	Air/Water/Oil	15m (50ft)	1450 psi	1" BSP(F)	1" BSP(F)	Viton®	Stainless Steel	Zinc Coated Brass	Reel 1
FCM3800-02	FRM3815-02	38mm (1-1/2")	-			500 psi	1-1/2" NPT(F)	1-1/2" NPT(F)				Reel 2



Reel Dimension	A	B	C	D	E	Min Bend Radius
Reel 1	650	404	Ø620	340	620	180
Reel 2	728	421	Ø715	370	735	130

- Dimensions are in mm

Recommended to be used with:



HG100-01

HG100-019E-01

L-ANHF

L-FNAD

## F-SERIES METERED

The F-Series Metered hose reel represents the first hose reel developed worldwide with integrated flow meter and flow register. Offering unparalleled simplicity for OEMs, installers and users alike, there is no longer any need for separate mounting of meters, intermediate plumbing or vulnerable wiring between meters and registers. The reel comes completely fitted and wired to be placed in situ ready to function. The only installation required is bolting the unit down and the connection of the inlet fluids and outlet control. Although equally at home in static workshop situations, the F-Series range of metered hose reels has been specifically designed to meet the rigors of the mobile lube service vehicle.



**Integrated meter**

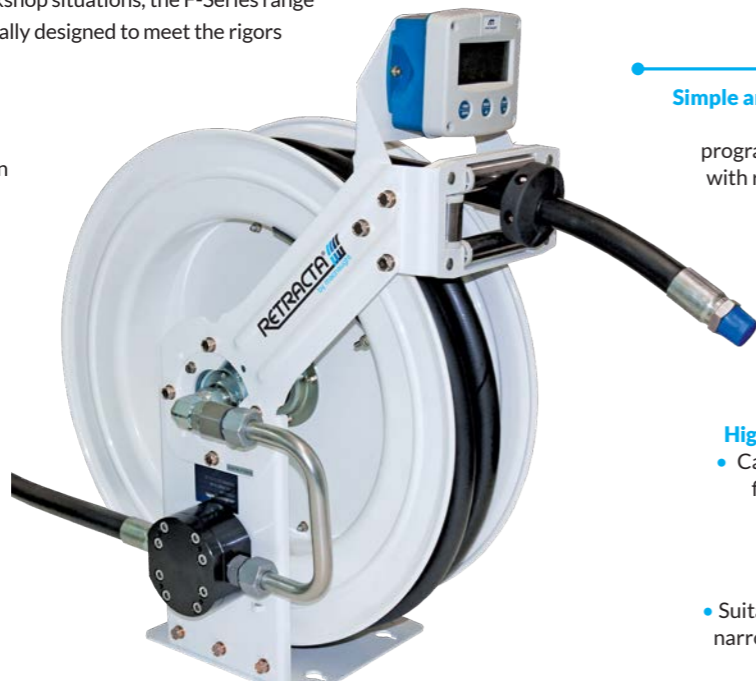
- Meter unit is protected by integration behind reel frame.

**Durable heavy duty construction**

- Stainless Steel shaft suitable for mine service vehicle mounts and harsh operating conditions.

**Easy maintenance**

- Featuring simple maintenance anodised aluminium meter body.



**Simple and easy to operate display**

- Clear digit display, simple programming and easy operation with robust powder coated steel register mount.

**High quality hose and fittings**

- Capable of handling multiple fluids and tough conditions.

**Small footprint**

- Suitable for service vehicle and narrow footprint requirements.

## F-SERIES CRADLE METERED

The F-Series Metered hose reel represents the first hose reel developed worldwide with integrated flow meter and flow register. Offering unparalleled simplicity for OEMs, installers and users alike, there is no longer any need for separate mounting of meters, intermediate plumbing or vulnerable wiring between meters and registers. The reel comes completely fitted and wired to be placed in situ ready to function. The only installation required is bolting the unit down and the connection of the inlet fluids and outlet control. Although equally at home in static workshop situations, the F-Series range of metered hose reels has been specifically designed to meet the rigors of the mobile lube service vehicle.



**Integrated meter**

- Meter unit is protected by integration behind reel frame.

**Durable heavy duty construction**

- Stainless Steel shaft suitable for mine service vehicle mounts and harsh operating conditions.

**Small footprint**

- Suitable for service vehicle and narrow footprint requirements.



**Cradle Structure**

- Metering unit fitted to reel with all required connection.

**Simple and easy to operate display**

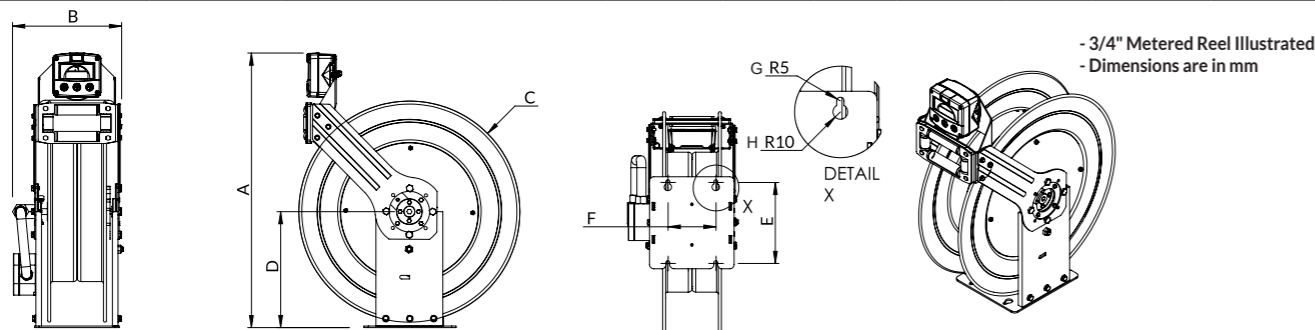
- Clear digit display, simple programming and easy operation with robust powder coated steel register mount.

**High quality hose and fittings**

- Capable of handling multiple fluids and tough conditions.

Model	Hose size (ID)	Hose Material	Application	Hose Length	Working Pressure	Reel Inlet	Hose Outlet	Meter Flow Rate	Meter Accuracy	Meter Seal	Meter Body	Reel Dimension
FHXO1215-01	12mm (1/2")	Steel Wire Braided Rubber (SAE100R1)	Oil/Diesel	15m (50ft)	1250 psi	1/2" BSP(F) (Inc feeder hose)	1/2" BSP(M)	2 - 30 LPM	0.5%	Viton®	Aluminium	Reel 1
FHXO1915-01	19mm (3/4")	Steel Wire Braided Rubber (SAE100R2)			1250 psi	3/4" BSP(F) (Inc feeder hose)	3/4" BSP(M)	3 - 80 LPM	0.5%			Reel 2

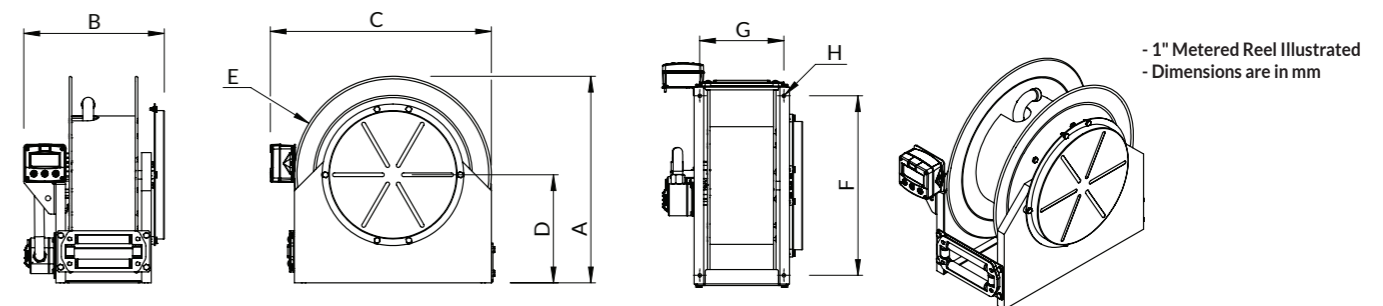
Model	Hose size (ID)	Hose Material	Application	Hose Length	Working Pressure	Reel Inlet	Hose Outlet	Meter Flow Rate	Meter Accuracy	Meter Seal	Meter Body	Reel Dimension
FCXD2515-01	25mm (1")	Steel Wire Braided Rubber (SAE100R1)	Diesel	15m (50ft)	200 psi	1" BSP(F)	1" BSP(F)	6-120 LPM	0.5%	Viton®	Aluminium	Reel 1
FCXD3815-01	38mm (1-1/2")				150 psi	1-1/2" NPT(F)	1-1/2" NPT(F)	10-250 LPM	0.5%			Reel 2



Reel Dimension	A	B	C	D	E	F	G	H	Min Bend Radius
Reel 1	690	187	Ø515	280	216	130	R4.8	R10	140
Reel 2	745	296	Ø600	315	220	130	R5	R10	190

**Applications:**  
Automotive industry, transport workshop, truck workshop, regional farming centre, farming industry, mining service centre.

Recommended to be used with:



Reel Dimension	A	B	C	D	E	F	G	H	Min Bend Radius
Reel 1	650	442	696	340	Ø620	565	265	Ø11 x4	180
Reel 2	728	488	811	370	Ø715	660	350	Ø14 x6	130

**Applications:**  
Automotive industry, transport workshop, truck workshop, regional farming centre, farming industry, mining service centre.

Recommended to be used with:



## E-SERIES

Retracta E-Series fully enclosed hose reels have been developed to serve the needs of the Automotive industry. The neat, narrow design accommodates high density mounting in tight workshop bay environments. The E-Series hose reel is enclosed in a powder coated steel housing designed to protect against the ingress of contaminants while offering a sleek, clean appearance. Quality, industry standard hose and fitting used throughout. Fully repairable via simple side panel removal.



- Narrow body**
- Made from powder coated, pressed steel for rigidity and protection
  - Narrow footprint allows close mounting

- Fully repairable**
- All parts available
  - No special tools required

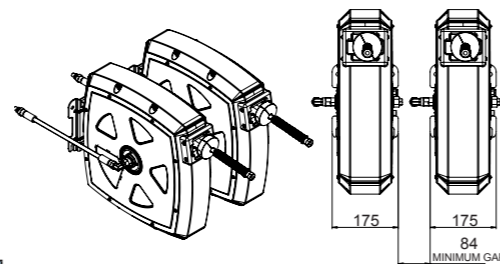
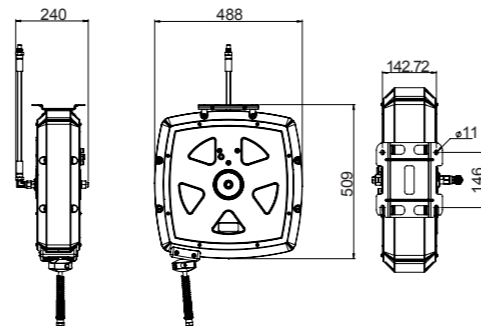
- Easy tensioning mechanism**
- Easy access to tensioning device
  - No special tools required



- Easy access to swivel**
- No need to disassemble the entire reel to access the swivel for maintenance or hose change

- Models available for multiple fluids**
- Oil
  - Coolant
  - Grease
  - Compressed Air
  - Water

includes feeder hose



**Applications:**  
Automotive industry, Transport workshop, Truck workshop, Regional farming centre, Farming industry.

### GREASE

Model	Hose Size (ID)	Hose Material	Application	Hose Length	Working Pressure	Reel Inlet	Hose Outlet
ESGR0610	6mm (1/4")	Steel Wire Braided Rubber	Grease	10m (32ft)	4000 psi	1/4" BSP(M)	1/4" BSP(M)

### AIR/WATER

Model	Hose Size (ID)	Hose Material	Application	Hose Length	Working Pressure	Reel Inlet	Hose Outlet
ESAW1015-01	10mm (3/8")	PVC	Air/Water	15m (50ft)	200 psi	3/8" BSP(M)	3/8" BSP(M)
ESAW1210-01	12mm (1/2")			10m (32ft)			

### OIL/DIESEL

Model	Hose Size (ID)	Hose Material	Application	Hose Length	Working Pressure	Reel Inlet	Hose Outlet
ESO1210-01	12mm (1/2")	Steel Wire Braided Rubber	Oil	10m (32ft)	1000 psi	1/2" BSP(M)	1/2" BSP(M)

Recommended to be used with:



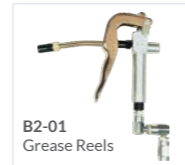
HG20R-01



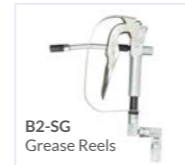
HG20R-012E-01



HG60-01



B2-01 Grease Reels



B2-5G Grease Reels

## H-SERIES

Retracta H-Series composite hose reels offer superior impact and corrosion resistance thanks to the ABS drum. These reels are perfect for the rigours of transport and general industry. The light weight drum fittings and sturdy twin pedestal design allow fitment in fixed as well as mobile applications. Quality, industry standard hose and fitting used throughout. Fully repairable and comes with a 5 Year warranty.



- Fully repairable**
- All parts available
  - No special tools required

- Industry standard hose and fitting**
- 316 Stainless Steel wet parts
  - Compatible with Urea (AdBlue®, DEF)

- 3/4" flow path and hose
- Reduced pressure loss
- Industry standard fitting

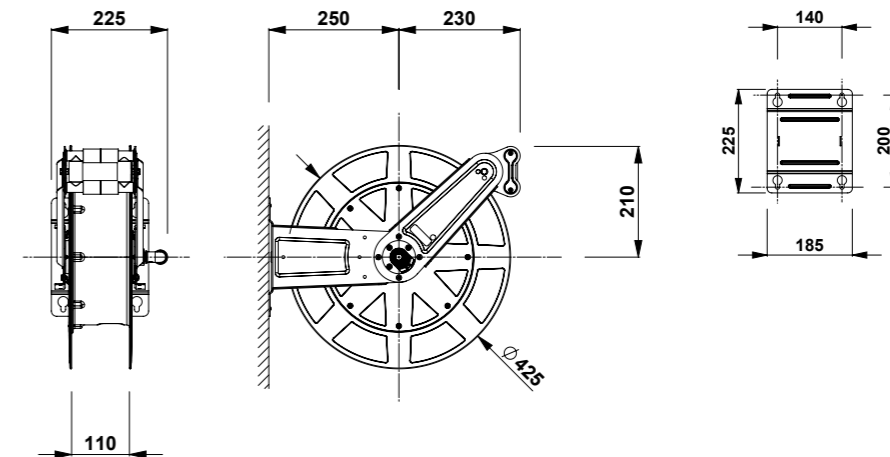


- High strength ABS drum**
- Impact resistant
  - Corrosion resistant

Powder coated steel frame

### ADBLUE® / DEF

Model	Hose Size (ID)	Hose Material	Application	Hose Length	Working Pressure	Reel Inlet	Hose Outlet
HAB1908-01	19mm (3/4")	PVC-PU	Urea (AdBlue® / DEF)	8m (26ft)	200 psi	3/4" BSP(F)	3/4" BSP(M)



Recommended to be used with:



L-PAN

**Applications:**  
Automotive industry, Transport workshop, Truck workshop, Regional farming centre, Farming industry.

## Point of Sale Stand

Available in-store display stands for multiple Macnaught products (MP101 & MP102) or Retracta R3 only stand (MP8).

Please see your local Macnaught Sales Representative for ordering details.



H: 2,200  
W: 900  
D: 565  
**MP101**

H: 1,380  
W: 900  
D: 565  
**MP102**

H: 1,400  
W: 915  
D: 600  
**MP8**

## Macnaught e-Commerce Website

[www.macnaught.com](http://www.macnaught.com)

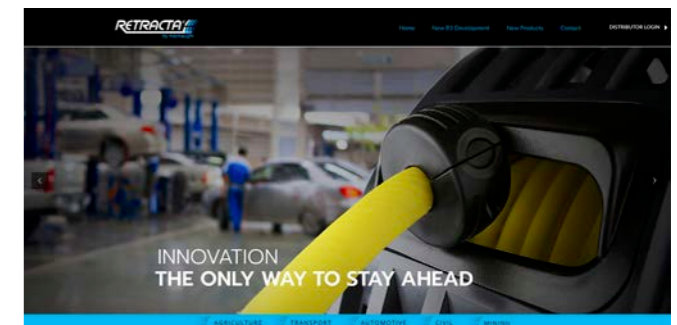
The premiere for all Macnaught product information and resources. Online ordering available for vendors and distributors.



## Retracta Brand Microsite

[www.retracta.com](http://www.retracta.com)

Dedicated to Macnaught's Retracta Hose Reel brand. Latest news and information about the whole series can be found here.



## Sell Sheets & Catalogues

Available A5 mini R3 Retracta Series Catalogue (MP131), A4 Retracta Complete Series catalogue (MP248), and RetractaFLEX sell sheet (MP265) for distribution.

Please see your local Macnaught Sales Representative for ordering details.



## Macnaught Marketing Resource Centre (MRC)

[www.macnaughtmrc.com.au](http://www.macnaughtmrc.com.au)

The one-stop-shop for all of Macnaught's marketing collateral. This includes product images, data sheets, instruction manuals, logos and brochures.

Register now to access exclusive content.



## Macnaught Social Media Platforms



[www.facebook.com/macnaughtau](http://www.facebook.com/macnaughtau)



[www.linkedin.com/company/macnaught](http://www.linkedin.com/company/macnaught)



[www.instagram.com/macnaught/](http://www.instagram.com/macnaught/)



[www.youtube.com/c/macnaught](http://www.youtube.com/c/macnaught)