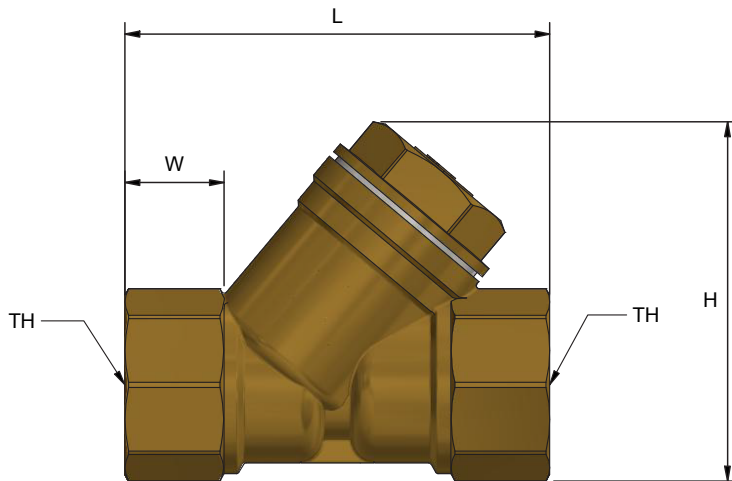


# Y STRAINER

## Y Strainer General Purpose

### Product Specifications



### Specifications

Working temperature 0°C - 99°C

Maximum pressure 1600kPa

Mesh Size

- 15MM-25MM 350 Micron
- 32MM-50MM 500 Micron

### Sizing Chart [MM]

	L	H	W	TH	FILTERS (micron)
YS15	64	52	15	Rp 1/2"	350
YS20	73	60	17	Rp 3/4"	350
YS25	91	72	25	Rp 1"	350
YS32	108	93	25	Rp 1 1/4"	500
YS40	114	106	25	Rp 1 1/2"	500
YS50	143	128	31	Rp 2"	500



### Features

DR Brass

SS304 Filter

Tested and certified to AS 3688

### Material Chart

Part	Material
Cap	DR Brass
Body	DR Brass
Washer	PTFE
Strainer	Stainless Steel