

# GATE VALVE GENERAL PURPOSE BRASS

**GV**  
Series

## Specifications

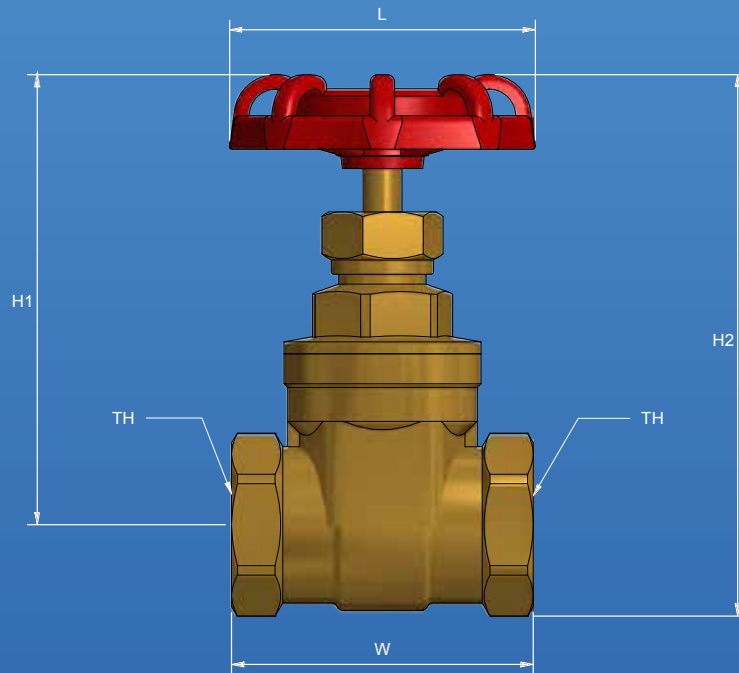
- Working temperature  
WATER -20°C to 120°C
- Max. pressure rating  
WATER 1600 KPa

## Features

- Full Bore
- 100% pressure tested
- Available in sizes 15mm  
[1/2"] to 100mm [4"]



# GATE VALVE GENERAL PURPOSE BRASS



## Sizing Chart MM

	L	H1	H2	W	TH
GV01	54	76	90	41	Rp 1/2"
GV02	64	78	96	51	Rp 3/4"
GV03	62	94	116	55	Rp 1"
GV04	72	112	139	55	Rp 1 1/4"
GV05	78	122	153	60	RP 1 1/2"
GV06	96	148	185	65	Rp 2"
GV07	107	176	224	93	Rp 2 1/2"
GV08	107	193	249	95	Rp 3
GV09	125	251	321	103	Rp 4

## Material Chart

Part	Material
Body	Brass
Cover	Brass
Gate	Brass
Stem	Brass
Lock Nut	Brass
Packing Gland	PTFE
Gasket	Brass
Hex Cap	Brass
Indication Cap	Stainless Steel
Nut	Stainless Steel
Handle	Cast Iron