

# BALL VALVE GENERAL PURPOSE LEVER HANDLE F X F

**BV**  
Series



## Specifications

- Working temperature -20°C to 120°C
- Maximum pressure rating 2100kPa

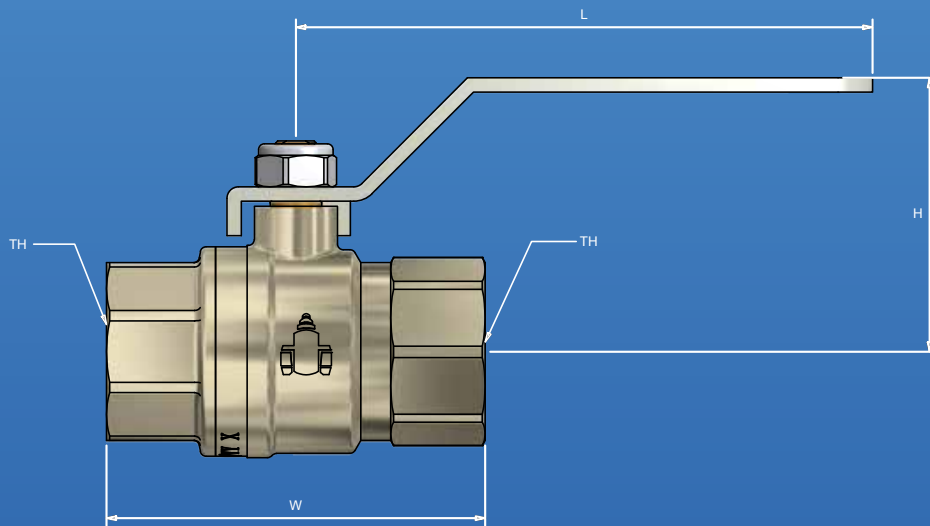
## Features

- Available in sizes 15mm [1/2"] to 100mm [4"]
- Full bore
- 100% pressure tested
- Blow proof spindle
- Stainless steel handle



AllTech Pneumatics Pty Ltd  
Email: [sales@alltechpneumatics.com.au](mailto:sales@alltechpneumatics.com.au)  
[www.alltechpneumatics.com.au](http://www.alltechpneumatics.com.au)

# BALL VALVE GENERAL PURPOSE LEVER HANDLE F X F



## Sizing Chart MM

|      | H   | L   | W   | TH        |
|------|-----|-----|-----|-----------|
| BV01 | 44  | 88  | 51  | Rp 1/2"   |
| BV02 | 47  | 99  | 58  | Rp 3/4"   |
| BV03 | 62  | 118 | 70  | Rp 1"     |
| BV04 | 69  | 118 | 81  | Rp 1 1/4" |
| BV05 | 80  | 142 | 88  | Rp 1 1/2" |
| BV06 | 93  | 142 | 107 | Rp 2"     |
| BV07 | 125 | 232 | 136 | Rp 2 1/2" |
| BV08 | 122 | 232 | 163 | Rp 3"     |
| BV09 | 157 | 255 | 180 | Rp 4"     |

## Material Chart

| Part     | Material        |
|----------|-----------------|
| Body     | Brass           |
| Seal     | PTFE            |
| Ball     | Brass           |
| Bonnet   | Brass           |
| Spindle  | Brass           |
| O Ring   | HNBR            |
| Handle   | Stainless Steel |
| Lock Nut | Stainless Steel |

# BALL VALVE DUAL APPROVED BUTTERFLY HANDLE F X F

# WBFG

Series



## Specifications

- Working temperature  
WATER -20°C to 120°C  
GAS -20°C to 120°C
- Max. pressure rating  
WATER 2500kPa  
GAS 2100kPa

## Features

- Watermarked and AGA approved
- Full Bore
- 100% pressure tested
- Available in sizes 15mm [1/2"]  
to 20mm [3/4"]
- Blow proof spindle

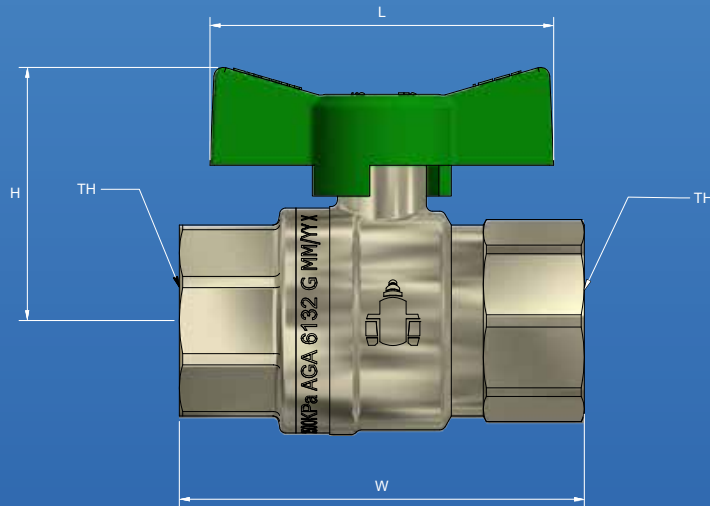


AllTech Pneumatics Pty Ltd

Email: [sales@alltechpneumatics.com.au](mailto:sales@alltechpneumatics.com.au)

[www.alltechpneumatics.com.au](http://www.alltechpneumatics.com.au)

# BALL VALVE DUAL APPROVED BUTTERFLY HANDLE F X F



## Sizing Chart MM

|        | H  | L  | W  | TH     |
|--------|----|----|----|--------|
| WB15FG | 38 | 58 | 58 | R 1/2" |
| WB20FG | 41 | 66 | 66 | R 3/4" |
| WB25FG | 45 | 81 | 81 | Rp 1"  |

## Material Chart

| Part          | Material  |
|---------------|-----------|
| Body          | DR Brass  |
| Bonnet        | DR Brass  |
| Spindle       | DR Brass  |
| Ball          | DR Brass  |
| Gland Nut     | Brass     |
| Seal          | PTFE      |
| Packing Gland | PTFE      |
| Handle        | Aluminium |
| Handle Nut    | Brass     |

AllTech Pneumatics Pty Ltd

Email: [sales@alltechpneumatics.com.au](mailto:sales@alltechpneumatics.com.au)

[www.alltechpneumatics.com.au](http://www.alltechpneumatics.com.au)

# BALL VALVE DUAL APPROVED LEVER HANDLE F X F

**WF**  
Series



## Specifications

- Working temperature -20°C to 120°C
- Maximum pressure rating  
Water 2500kPa  
Gas 2100kPa

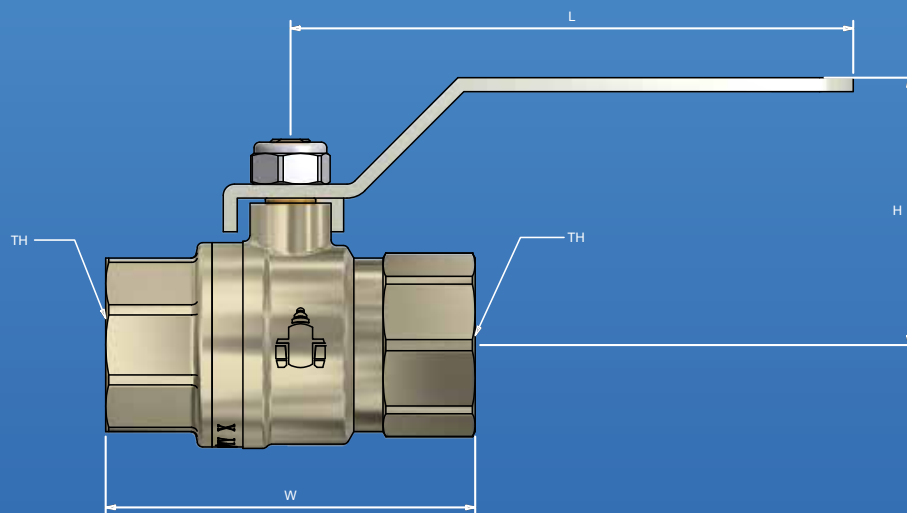
## Features

- Watermarked and AGA approved
- Available in sizes 15mm (1/2")  
to 100mm (4")
- Full bore
- 100% pressure tested
- Blow proof spindle
- Stainless Steel handle



AllTech Pneumatics Pty Ltd  
Email: [sales@alltechpneumatics.com.au](mailto:sales@alltechpneumatics.com.au)  
[www.alltechpneumatics.com.au](http://www.alltechpneumatics.com.au)

# BALL VALVE DUAL APPROVED LEVER HANDLE F X F



### Sizing Chart MM

|       | H   | W   | L   | TH        |
|-------|-----|-----|-----|-----------|
| W06F  | 44  | 46  | 90  | Rp 1/4"   |
| W15F  | 44  | 58  | 101 | Rp 1/2"   |
| W20F  | 48  | 66  | 101 | Rp 3/4"   |
| W25F  | 52  | 81  | 101 | Rp 1"     |
| W32F  | 71  | 92  | 140 | Rp 1 1/4" |
| W40F  | 77  | 102 | 140 | Rp 1 1/2" |
| W50F  | 85  | 121 | 140 | Rp 2"     |
| W65F  | 110 | 150 | 232 | Rp 2 1/2" |
| W80F  | 122 | 177 | 232 | Rp 3"     |
| W100F | 136 | 212 | 232 | Rp 4"     |

### Material Chart

| Part     | Material        |
|----------|-----------------|
| Body     | Brass           |
| Seal     | PTFE            |
| Ball     | Brass           |
| Bonnet   | Brass           |
| Spindle  | Brass           |
| O Ring   | FKM             |
| Handle   | Stainless Steel |
| Lock Nut | Stainless Steel |