

# MIST SEPARATOR

## Series FS1

Cat No FS1 - 01 - 01

### MIST SEPARATOR - 1/4, 1/2

#### Features

- Borosilicate filtering element
- 99.99% compressed filtered air upto 0.01micron to 0.1 micron
- Suitable for Modular mounting
- Steel bowl guard, bayonet type on FS15 modles and threaded type on FS13 model
- Press type Manual drain for easy operation
- Separator for efficient moisture separation



#### Application

These type of mist separators are used in Chemical, Pharmaceutical, Food processing industry, Paintshops and for other precision pneumatic systems.

#### Function

- Removes submicronic oil, water droplets and solid contaminants from compressed air.
- Used for high efficient filtration of compressed air, removing fine oil particles and droplets of sizes upto 0.01 microns

#### Technical Specification

Model	FS13...		FS15...	
Medium	Compressed filtered air			
Port size	G1/4		G1/2	
Filtration # (µm)	0.01	0.1	0.01	0.1
Flow rate (lts / min) <sup>®</sup>	250	275	1500	2000
Maximum supply pressure (bar)	10			
Ambient / Medium temperature	5° - 50° C			
Bowl capacity (ml) (at maximum condensate level)	9		44	
Bowl material	Polycarbonate			
Installation	Vertical (as in the picture)			
Materials of construction	Aluminium, Borosilicate, Steel, Acetal, Polycarbonate, SS, Nitrile			
Optional accessories *	Clamp, Modular mounting kit			
Weight (Kg)	0.19		0.60	

<sup>®</sup> Supply pressure 6 bar , Pressure drop  $\Delta p = 0.3$  bar

<sup>#</sup> For details see " How to order "

<sup>\*</sup> For details refer optional accessories Cat No APA - 01 - C

#### Precautions

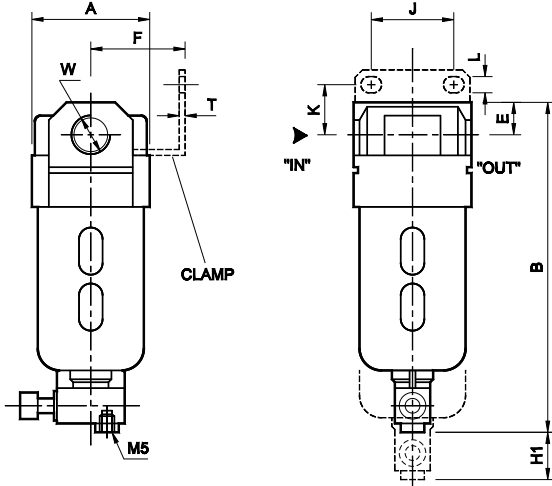
1. Mount the mist separator in line, next to a standard air filter series F1 with 5 micron filter element.
2. Note the direction of flow before installation and connect piping accordingly.
3. Flush pipings for dirt, dust, rust and other foreign particles.
4. Install in clean atmosphere
5. Nipples of taper threads (R) to be used with teflon tape. Ensure Teflon tape does not enter the unit during tightening. Nipples of straight threads (G) to be used with sealing washer.
6. Polycarbonate bowls may get damaged and possibly fail if exposed to synthetic oils, thinner, solvents, trichloroethylene kerosene or other aromatic hydrocarbons.

# MIST SEPARATOR

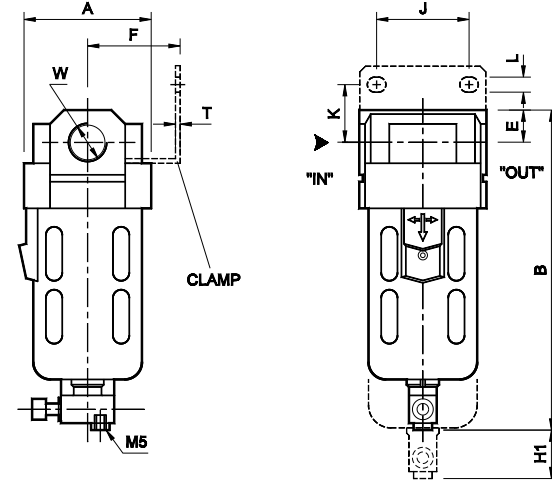
## Series FS1

Cat No FS1 - 01 - 01

Model FS13



Model FS15

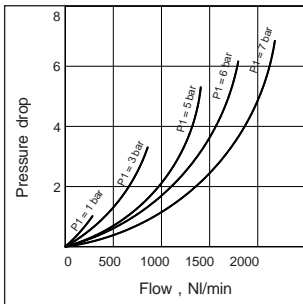


Model	W	A	B	E	K	F	J	L	T	H1
FS13...	G1/4	SQ 40	113	11	15	30	28	5.5	2	50
FS15...	G1/2	SQ 70	172	18	25	50	55	8.5	2	80

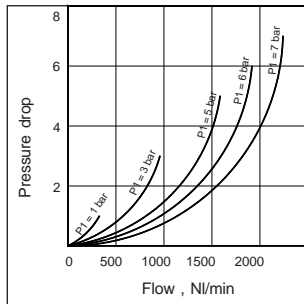
For Details of Clamp see optional accessories Cat No APA - 01 - C

### Flow Graphs

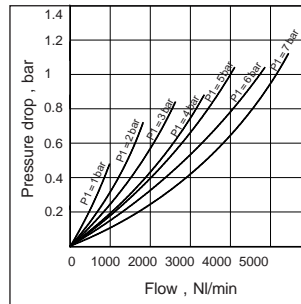
1/4 FILTER (0.01 micron)



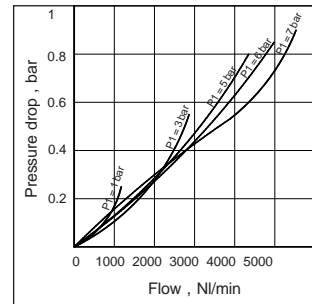
1/4 FILTER (0.1 micron)



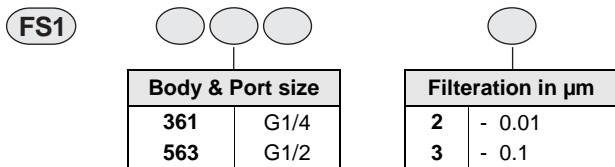
1/2 FILTER(0.01 micron)



1/2 FILTER (0.1 micron)



### How to order



Ordering Example :- Filter - 1/4 size ( with G1/4 port ) with 0.1 micron filter : Ordering No: FS13613