

AIR PREPARATION UNITS

FILTER REGULATOR COMBINATION Series FRC1

Cat No FRC1 - 01 - C

FILTER REGULATOR COMBINATION - 1/4, 3/8, 1/2, 3/4, 1"

Features

- Modular type
- Suitable for panel mounting
- Filter
 - Bronze filtering element.
 - Separator and shield for efficient moisture separation.
- Regulator
 - Diaphragm operated, relieving type.
 - Pressure compensated by balanced poppet.
 - Flow compensated in models FRC14, FRC15 & FRC17 (with venturi) for faster response.
 - Non raising ' Press to lock ' adjusting knob for locking at any set pressure.
- Steel bowl guard, bayonet type on FRC14, FRC15 & FRC17 models and threaded type on FRC13 model.
- Good flow and regulating characteristics.



Technical Specifications

Model	FRC 13	FRC 14	FRC 15	FRC 17	FRC 17
Medium	Compressed air				
Port size	G1/4	G3/8	G1/2	G3/4	G1
Pressure gauge port size	G1/8	G1/8	G1/8	G1/4	G1/4
Flow rate (lts / min) [@]	550	1800	3000	4250	5500
Maximum supply pressure (bar)	10				
Regulating pressure range [#] (bar)	0.2 - 2, 0.2 - 4, 0.5 - 7, 0.5 - 10 (Standard)				
Ambient / Medium temperature	5° - 50° C				
Filtration [#] (µm)	1, 5, 25, 40 (standard), 50, 100				
Bowl capacity (ml) (at maximum condensate level)	9	32	44	165	165
Bowl material	Polycarbonate				
Installation	Vertical (as shown in the picture)				
Materials of construction	Aluminium, Bronze, Brass, Steel, Acetal, Polycarbonate, SS, Nitrile				
Optional accessories [*]	Clamp, Modular mounting kit, Pressure gauge				
Weight (Kg)	0.30	0.58	1.27	2.09	2.05

[@] Supply pressure 7 bar, Set pressure 6 bar, Pressure drop $\Delta p = 1$ bar (For standard models)

[#] For details see " How to order "

^{*} For details refer optional accessories Cat No APA - 01 - C

Precautions

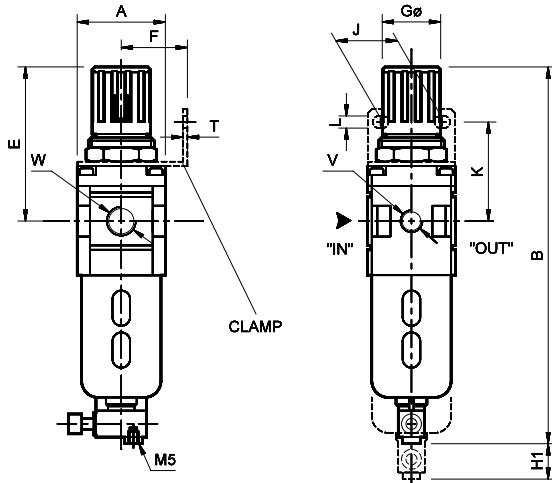
1. Note the direction of flow before installation and connect piping accordingly.
2. Flush pipings for dirt, dust, rust and other foreign particles.
3. Install in clean atmosphere.
4. Nipples of taper threads (R) to be used with teflon tape. Ensure teflon tape does not enter the unit during tightening. Nipples of straight threads (G) to be used with sealing washer.
5. Polycarbonate bowls may get damaged and possibly fail if exposed to synthetic oils, thinner, solvents, trichloroethylene kerosene or other aromatic hydrocarbons.

AIR PREPARATION UNITS

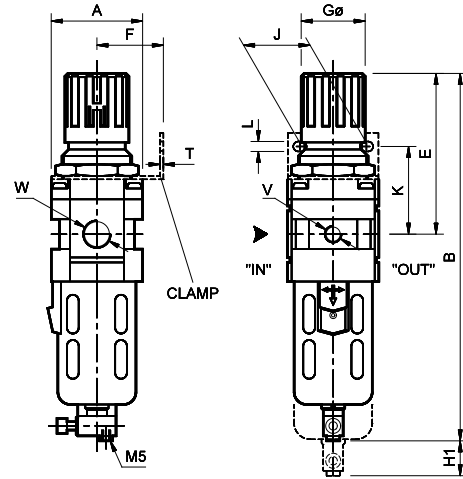
FILTER REGULATOR COMBINATION Series FRC1

Cat No FRC1 - 01 - C

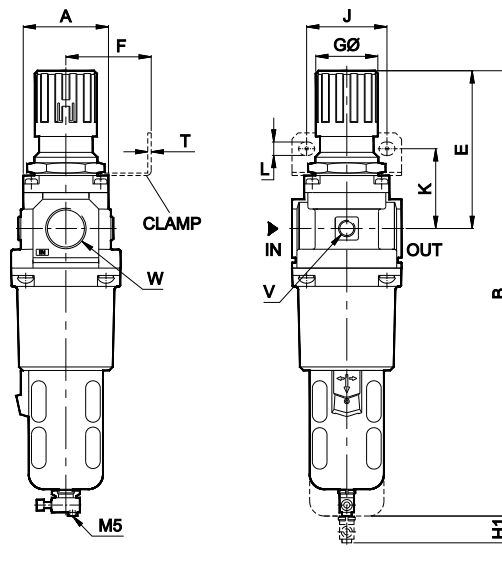
Model FRC13



Model FRC14 & FRC15



Model FRC17



Model	W	V	A	B	E	K	F	GØ	J	L	T	H1
FRC13	G1/4	G1/8	SQ 40	170	68	45	30	28	28	5.5	2	50
FRC14	G3/8	G1/8	SQ 55	220	95	53	40	40	40	6.5	2	55
FRC15	G1/2	G1/8	SQ 70	280	125	62	50	51	55	8.5	2	80
FRC17	G3/4	G1/4	SQ 90	370	130	65	70	51	66	11	5	80
FRC17	G1	G1/4	SQ 90	370	130	65	70	51	66	11	5	80

For Details of Clamp see optional accessories Cat No APA - 01 - C

Pressure Setting

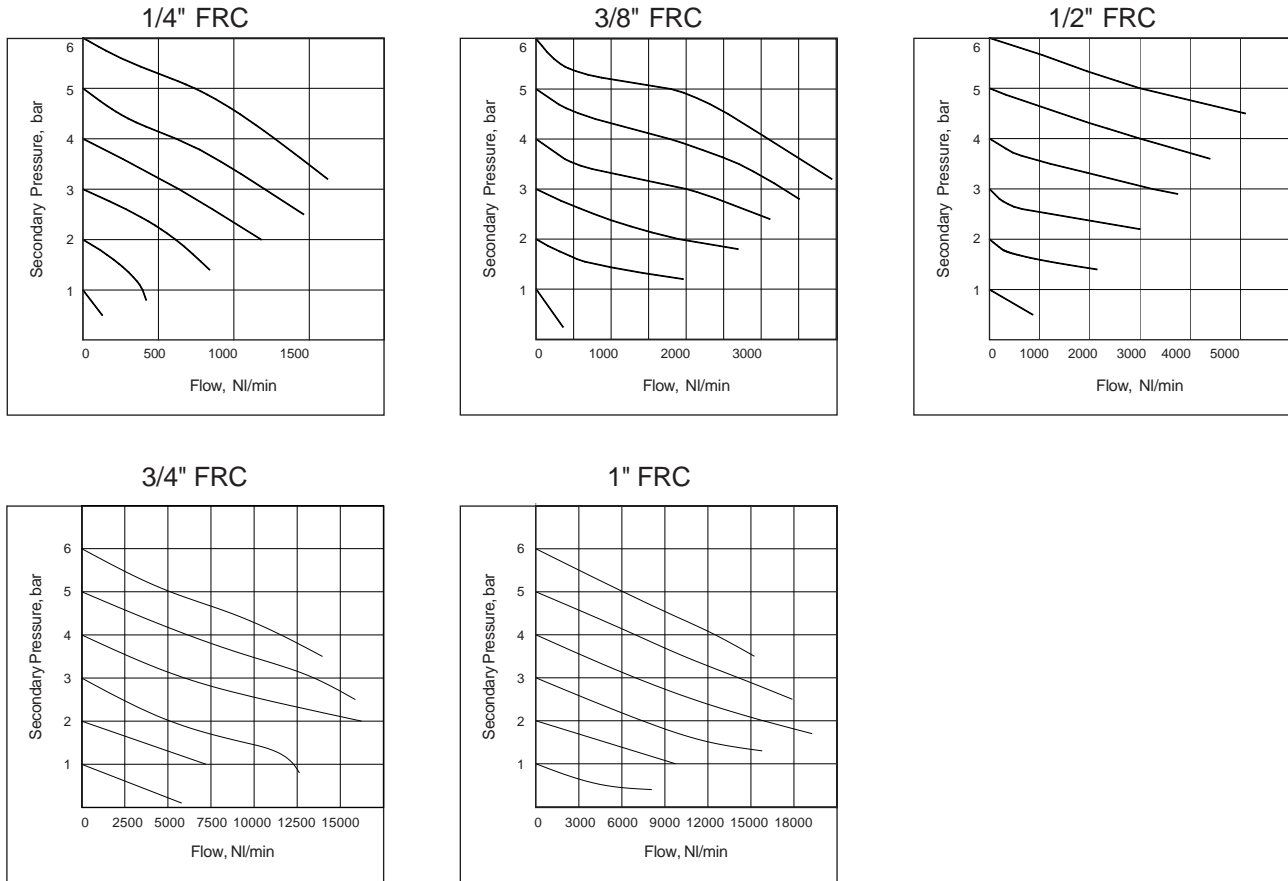
Pull the knob and adjust by turning the knob clockwise to increase the pressure. Push the knob back to its locked position.
(Turning the knob counter clockwise will reduce the pressure)

AIR PREPARATION UNITS

FILTER REGULATOR COMBINATION Series FRC1

Cat No FRC1 - 01 - C

Flow Graphs



Flow graphs are for 40µm filtrations only

How to order

FRC1 ○ ○ ○ ○ ○

Body & Port size	
361	G1/4
462	G3/8
563	G1/2
764	G3/4
765	G1

Filtration in µm	
0	- 1
1	- 5
2	- 25
3	- 40 (Standard)
4	- 50
5	- 100

Pressure range	
1	0.2 - 2 bar
2	0.2 - 4 bar
3	0.5 - 7 bar
4	0.5 - 10 bar (Standard)

Ordering example :- Filter Regulator Combination - 3/8 size (with G3/8 port) with 5µm Filter and pressure range 0.5 - 7 bar
 Ordering No : FRC 146213.
 If ordered as FRC 3/8 our standard model FRC 146234, with 40µm Filter and pressure range 0.5 -10 bar will be supplied.

Subject to change