

ONE TOUCH FITTINGS

Series WP2

Cat No WP2 - 01 - D

ONE TOUCH FITTINGS - M5, 1/8, 1/4, 3/8, 1/2, 3/4, 1"

Features

- Attractive design
- Compact size
- Threaded nipples of L, T & Y fittings enable plastic portion to turn by 360°
- Full area of the inner bore of the tubing is available for flow of fluid
- Bubble tight sealing of tubes
- Suitable for both Nylon and PU tubing
- Easy and quick push-in connection of tube / easy removal of tube by simple pressing of collet cap
- "New design" - Stainless steel collet
- Teflon pre-coated male taper threads
- Maintenance free and long life
- The fitment and function of tubes are not affected by vibrations due to positive gripping of the tube by the collet

Applications

One-touch fittings can be effectively used in all compressed air applications

Some of the pneumatic applications include

- Pneumatic cylinders (all types)
- Directional control valves, solenoid valves and other valves
- Air preparation units, like filter, regulator and lubricators
- Pneumatic control panels
- All compressed air lines, machinery of all kinds wherever pneumatic systems are used
- Pneumatic circuits in any industry

Technical Specifications

| | | | | |
|---|---|----------------|--------------|----------------|
| Fluid | Air # | | | |
| Max. Operating pressure | 10 bar | | | |
| Ambient temperature | 5° - 60° C | | | |
| Threaded connection | Male : R - Taper thread Female : G - Parallel thread | | | |
| Applicable tube material | Nylon, Polyurethane | | | |
| Applicable tube size (OD) | Ø4, 6, 8, 10 and 12 mm | | | |
| Recommended tolerance for tube OD | ± 0.1 mm | | | |
| Recommended minimum wall thickness of tubes | Nylon | | PU | |
| | Tube OD (mm) | Thickness (mm) | Tube OD (mm) | Thickness (mm) |
| | Ø4 - Ø12 | 1 | Ø4 | 1 |
| | | | Ø6 | 1 |
| | | | Ø8 | 1.5 |
| | | | Ø10 | 1.5 |
| Ø12 | | | 2 | |

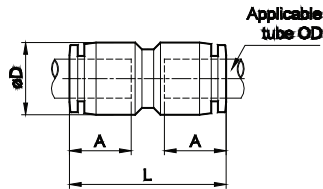
- for other fluids, contact **JANATICS**

ONE TOUCH FITTINGS

Series WP2

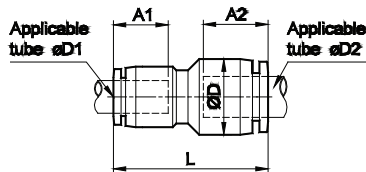
Cat No WP2 - 01 - D

Straight Union



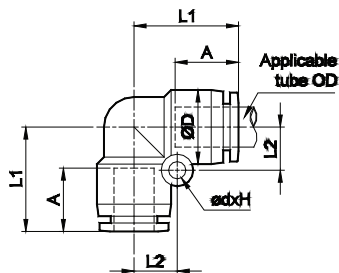
| Applicable Tube OD | ØD | L | A | Ordering No |
|--------------------|------|------|------|-------------|
| 4 | 10.5 | 31.5 | 14.5 | WP2100404 |
| 6 | 12.5 | 33 | 15.5 | WP2100606 |
| 8 | 15 | 35 | 16 | WP2100808 |
| 10 | 18.5 | 39.5 | 18 | WP2101010 |
| 12 | 21 | 41.5 | 18.5 | WP2101212 |
| 14 | 23 | 42.5 | 20.5 | WP2101414 |
| 16 | 25.5 | 45.5 | 22 | WP2101616 |

Different Dia. Straight Union



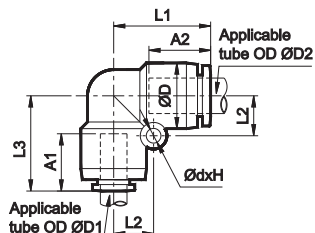
| Applicable Tube OD | | ØD | L | A1 | A2 | Ordering No |
|--------------------|-----|------|------|------|------|-------------|
| ØD1 | ØD2 | | | | | |
| 4 | 6 | 12.5 | 32 | 14.5 | 15.5 | WP2140406 |
| 6 | 8 | 15 | 34 | 15.5 | 16 | WP2140608 |
| 6 | 10 | 18.5 | 41 | 15.5 | 18 | WP2140610 |
| 8 | 10 | 18.5 | 37.5 | 16 | 18 | WP2140810 |
| 8 | 12 | 21 | 41 | 16 | 18.5 | WP2140812 |
| 10 | 12 | 21 | 40.5 | 18 | 18.5 | WP2141012 |
| 12 | 16 | 25.5 | 48.5 | 21.5 | 22 | WP2141216 |

Union Elbow



| Applicable Tube OD | ØD | L1 | L2 | A | Ød x H | Ordering No |
|--------------------|------|------|------|------|------------|-------------|
| 4 | 10.5 | 18.5 | 6.5 | 14.5 | 3.3 x 11 | WP2200404 |
| 6 | 12.5 | 20 | 7.5 | 15.5 | 3.3 x 13 | WP2200606 |
| 8 | 15 | 22 | 9 | 16 | 3.3 x 15.5 | WP2200808 |
| 10 | 18.5 | 26 | 11 | 18 | 4.3 x 19 | WP2201010 |
| 12 | 21 | 27.5 | 12 | 18.5 | 4.3 x 21.5 | WP2201212 |
| 14 | 23 | 29 | 13 | 21.5 | 4.3 x 23.5 | WP2201414 |
| 16 | 25.5 | 31.5 | 14.5 | 22.5 | 4.3 x 26 | WP2201616 |

Union Elbow Reducer



| Applicable Tube OD | | ØD | L1 | L2 | L3 | A1 | A2 | Ød x H | Ordering No |
|--------------------|-----|----|------|----|----|----|------|-----------|-------------|
| ØD1 | ØD2 | | | | | | | | |
| 8 | 12 | 21 | 27.5 | 12 | 27 | 16 | 18.5 | Ø4.3x21.5 | WP2200812 |

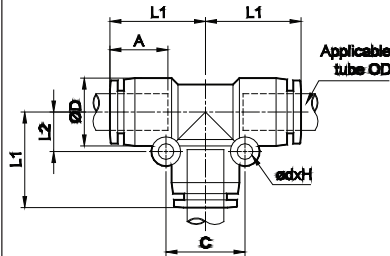
A, A1, A2 - Tube insertion length

ONE TOUCH FITTINGS

Series WP2

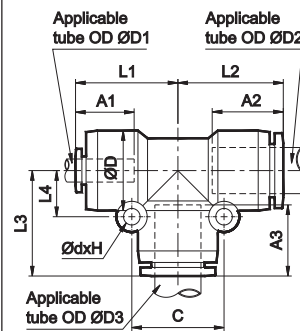
Cat No WP2 - 01 - D

Union Tee



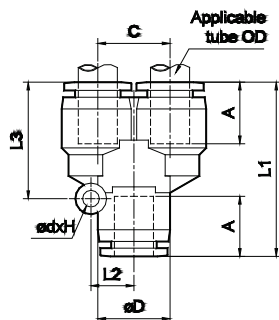
| Applicable Tube OD | ØD | L1 | L2 | C | A | Ød x H | Ordering No |
|--------------------|------|------|------|----|------|------------|-------------|
| 4 | 10.5 | 18.5 | 6.5 | 13 | 14.5 | 3.3 x11 | WP2300404 |
| 6 | 12.5 | 20 | 7.5 | 15 | 15.5 | 3.3 x13 | WP2300606 |
| 8 | 15 | 22 | 9 | 18 | 16 | 3.3 x15.5 | WP2300808 |
| 10 | 18.5 | 26 | 11 | 22 | 18 | 4.3 x19 | WP2301010 |
| 12 | 21 | 27.5 | 12 | 24 | 18.5 | 4.3 x21.5 | WP2301212 |
| 14 | 23 | 29 | 13 | 26 | 21.5 | 4.3 x 23.5 | WP2301414 |
| 16 | 25.5 | 31.5 | 14.5 | 29 | 22.5 | 4.3 x 26 | WP2301616 |

Union Tee Reducer



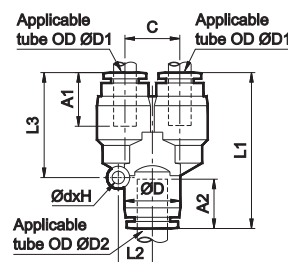
| Applicable Tube OD | Applicable Tube OD | | | ØD | L1 | L2 | L3 | L4 | C | A1 | A2 | A3 | Ød x H | Ordering No |
|--------------------|--------------------|-----|-----|------|------|------|------|-----|----|------|------|------|-----------|-------------|
| | ØD1 | ØD2 | ØD3 | | | | | | | | | | | |
| 4 | 4 | 6 | | 12.5 | 23.5 | 23.5 | 20 | 7.5 | 15 | 14.5 | 14.5 | 15.5 | Ø3.3x13 | WP230040406 |
| 6 | 6 | 4 | | 12.5 | 20 | 20 | 23.5 | 7.5 | 15 | 15.5 | 15.5 | 14.5 | Ø3.3x13 | WP230060604 |
| 6 | 6 | 8 | | 15 | 25.5 | 25.5 | 22 | 9 | 18 | 15.5 | 15.5 | 16 | Ø3.3x15.5 | WP230060608 |
| 6 | 12 | 12 | | 21 | 27 | 27.5 | 27.5 | 12 | 24 | 15.5 | 18.5 | 18.5 | Ø4.3x21.5 | WP230061212 |
| 8 | 8 | 6 | | 15 | 22 | 22 | 25.5 | 9 | 18 | 16 | 16 | 15.5 | Ø3.3x15.5 | WP230080806 |
| 8 | 8 | 10 | | 18.5 | 28.5 | 28.5 | 26 | 11 | 22 | 16 | 16 | 18 | Ø4.3x19 | WP230080810 |
| 8 | 12 | 12 | | 21 | 27 | 27.5 | 27.5 | 12 | 24 | 16 | 18.5 | 18.5 | Ø4.3x21.5 | WP230081212 |
| 10 | 10 | 6 | | 18.5 | 26 | 26 | 25 | 11 | 22 | 18 | 18 | 15.5 | Ø4.3x19 | WP230101006 |
| 10 | 10 | 8 | | 18.5 | 26 | 26 | 28.5 | 11 | 22 | 18 | 18 | 16 | Ø4.3x19 | WP230101008 |
| 10 | 10 | 12 | | 21 | 32 | 32 | 27.5 | 12 | 24 | 18 | 18 | 18.5 | Ø4.3x21.5 | WP230101012 |
| 12 | 12 | 6 | | 21 | 27.5 | 27.5 | 27 | 12 | 24 | 18.5 | 18.5 | 15.5 | Ø4.3x21.5 | WP230121206 |
| 12 | 12 | 8 | | 21 | 27.5 | 27.5 | 27 | 12 | 24 | 18.5 | 18.5 | 16 | Ø4.3x21.5 | WP230121208 |
| 12 | 12 | 10 | | 21 | 27.5 | 27.5 | 32 | 12 | 24 | 18.5 | 18.5 | 18 | Ø4.3x21.5 | WP230121210 |

Union 'Y'



| Applicable Tube OD | ØD | L1 | L2 | L3 | C | A | Ød x H | Ordering No |
|--------------------|------|------|-----|------|------|------|-----------|-------------|
| 4 | 10.5 | 31.5 | 6.5 | 19 | 10 | 14.5 | 3.3 x11 | WP2400404 |
| 6 | 12.5 | 34.5 | 7.5 | 22 | 12 | 15.5 | 3.3 x13 | WP2400606 |
| 8 | 15 | 38 | 9 | 24.5 | 14.5 | 16 | 3.3 x15.5 | WP2400808 |
| 10 | 18.5 | 44 | 11 | 29.5 | 18 | 18 | 4.3 x19 | WP2401010 |
| 12 | 21 | 47 | 12 | 32 | 20 | 18.5 | 4.3 x21.5 | WP2401212 |

Union 'Y' Reducer



| Applicable Tube OD | Applicable Tube OD | | ØD | L1 | L2 | L3 | C | A1 | A2 | Ød x H | Ordering No |
|--------------------|--------------------|-----|------|------|-----|----|------|------|------|-----------|-------------|
| | ØD1 | ØD2 | | | | | | | | | |
| 4 | 4 | 6 | 12.5 | 38 | 7.5 | 25 | 12 | 14.5 | 15.5 | Ø3.3x13 | WP240040406 |
| 6 | 6 | 8 | 15 | 41.5 | 9 | 28 | 14.5 | 15.5 | 16 | Ø3.3x15.5 | WP240060608 |
| 8 | 8 | 10 | 18.5 | 46.5 | 11 | 32 | 18 | 16 | 18 | Ø4.3x19 | WP240080810 |

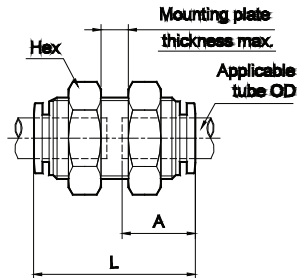
* M5 threads are supplied with sealing washer
A1, A2, A3 - Tube insertion length

ONE TOUCH FITTINGS

Series WP2

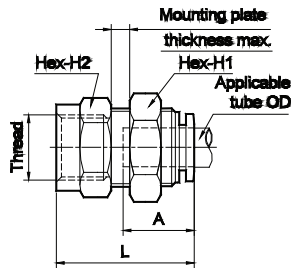
Cat No WP2 - 01 - D

Bulk Head Union



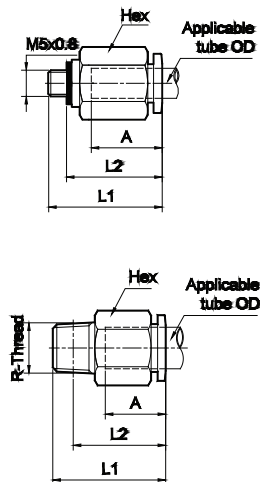
| Applicable Tube OD | Hex | L | A | Mounting plate thickness max. | Mounting hole dia | Ordering No |
|--------------------|-----|------|------|-------------------------------|-------------------|-------------|
| 4 | 14 | 31.5 | 14.5 | 16 | 12.5 | WP2500404 |
| 6 | 17 | 32.5 | 15.5 | 14 | 14.5 | WP2500606 |
| 8 | 19 | 34 | 16 | 12 | 16.5 | WP2500808 |
| 10 | 24 | 38 | 18 | 12 | 20.5 | WP2501010 |
| 12 | 27 | 39 | 18.5 | 12 | 22.5 | WP2501212 |
| 14 | 30 | 40 | 19 | 10 | 25 | WP2501414 |
| 16 | 32 | 49 | 23.5 | 12 | 28 | WP2501616 |

Bulk Head Female Connector



| Applicable Tube OD | Thread (G) | Hex H1 | Hex H2 | L | A | Mounting plate thickness max. | Mounting hole dia | Ordering No |
|--------------------|------------|--------|--------|----|------|-------------------------------|-------------------|-------------|
| 6 | 1/4 | 17 | 17 | 32 | 15.5 | 8 | 14.5 | WP2520661 |
| 8 | 1/4 | 19 | 17 | 32 | 16 | 7 | 16.5 | WP2520861 |

Male Connector



| Applicable Tube OD | Thread | Hex | L1 | L2 | A | Ordering No |
|--------------------|------------|-----|------|------|------|-------------|
| 4 | * M5 x 0.8 | 10 | 21 | 17.5 | 14.5 | WP2110470 |
| | R1/8 | 10 | 21.5 | 18 | 14.5 | WP2110450 |
| | R1/4 | 14 | 18 | 12.5 | 14.5 | WP2110451 |
| 6 | * M5 x 0.8 | 12 | 22 | 18.5 | 15.5 | WP2110670 |
| | R1/8 | 12 | 23 | 19.5 | 15.5 | WP2110650 |
| | R1/4 | 14 | 25.5 | 20 | 15.5 | WP2110651 |
| | R3/8 | 17 | 20 | 14 | 15.5 | WP2110652 |
| 8 | R1/8 | 14 | 25.5 | 22 | 16 | WP2110850 |
| | R1/4 | 14 | 27 | 21.5 | 16 | WP2110851 |
| | R3/8 | 17 | 22.5 | 16.5 | 16 | WP2110852 |
| | R1/2 | 22 | 25.5 | 18 | 16 | WP2110853 |
| 10 | R1/4 | 17 | 29.5 | 24 | 18 | WP2111051 |
| | R3/8 | 17 | 30 | 24 | 18 | WP2111052 |
| | R1/2 | 22 | 26 | 18.5 | 18 | WP2111053 |
| 12 | R1/4 | 22 | 36 | 30 | 22.5 | WP2111251 |
| | R3/8 | 22 | 34.5 | 29 | 22.5 | WP2111252 |
| | R1/2 | 22 | 32.5 | 25 | 18.5 | WP2111253 |
| 14 | 1/2 | 24 | 34 | 26.5 | 19 | WP2111453 |
| | 3/4 | 27 | 30 | 21 | 19 | WP2111454 |
| 16 | 1/2 | 24 | 35 | 27.5 | 21.5 | WP2111653 |
| | 3/4 | 27 | 32 | 23 | 21.5 | WP2111654 |
| | 1 | 36 | 37 | 27 | 21.5 | WP2111655 |

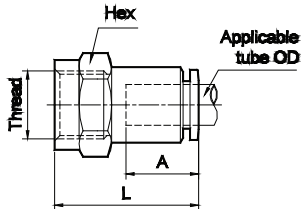
* M5 threads are supplied with sealing washer
A - Tube insertion length

ONE TOUCH FITTINGS

Series WP2

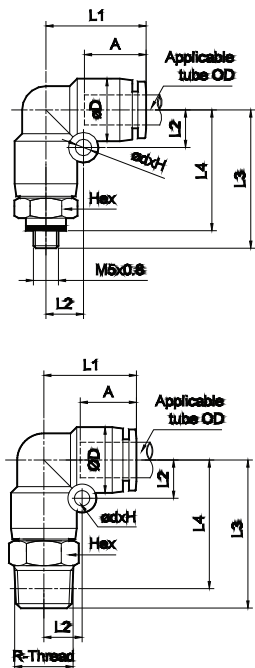
Cat No WP2 - 01 - D

Female Connector



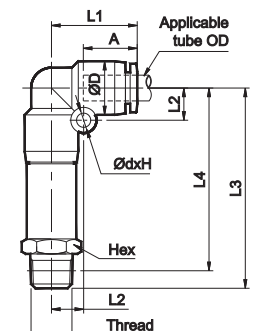
| Applicable Tube OD | Thread (G) | Hex | L | A | Ordering No |
|--------------------|------------|-----|------|------|-------------|
| 4 | 1/8 | 14 | 27 | 14.5 | WP2120460 |
| | 1/4 | 17 | 31 | 14.5 | WP2120461 |
| 6 | 1/8 | 14 | 27 | 15.5 | WP2120660 |
| | 1/4 | 17 | 31.5 | 15.5 | WP2120661 |
| 8 | 1/8 | 14 | 27 | 16 | WP2120860 |
| | 1/4 | 17 | 31.5 | 16 | WP2120861 |
| | 3/8 | 22 | 33.5 | 16 | WP2120862 |
| 10 | 1/4 | 17 | 33 | 18 | WP2121061 |
| | 3/8 | 22 | 35 | 18 | WP2121062 |
| 12 | 3/8 | 22 | 35 | 18.5 | WP2121262 |
| | 1/2 | 27 | 39.5 | 18.5 | WP2121263 |
| 14 | 1/2 | 27 | 39 | 19 | WP2121463 |

Male Elbow



| Applicable Tube OD | Thread | Hex | ØD | L1 | L2 | L3 | L4 | A | ØdxH | Ordering No |
|--------------------|------------|-----|------|------|------|------|------|------|----------|-------------|
| 4 | * M5 x 0.8 | 9 | 10.5 | 18.5 | 6.5 | 25.5 | 22 | 14.5 | 3.3x11 | WP2210470 |
| | R1/8 | 10 | 10.5 | 18.5 | 6.5 | 30 | 26.5 | 14.5 | 3.3x11 | WP2210450 |
| | R1/4 | 14 | 10.5 | 18.5 | 6.5 | 32 | 26.5 | 14.5 | 3.3x11 | WP2210451 |
| 6 | * M5 x 0.8 | 11 | 12.5 | 20 | 7.5 | 28 | 24.5 | 15.5 | 3.3x13 | WP2210670 |
| | R1/8 | 12 | 12.5 | 20 | 7.5 | 31.5 | 28 | 15.5 | 3.3x13 | WP2210650 |
| | R1/4 | 14 | 12.5 | 20 | 7.5 | 33.5 | 28 | 15.5 | 3.3x13 | WP2210651 |
| 8 | R3/8 | 17 | 12.5 | 20 | 7.5 | 35 | 29 | 15.5 | 3.3x13 | WP2210652 |
| | R1/8 | 14 | 15 | 22 | 9 | 33.5 | 30 | 16 | 3.3x15.5 | WP2210850 |
| | R1/4 | 14 | 15 | 22 | 9 | 37 | 31.5 | 16 | 3.3x15.5 | WP2210851 |
| 10 | R3/8 | 17 | 15 | 22 | 9 | 36.5 | 30.5 | 16 | 3.3x15.5 | WP2210852 |
| | R1/2 | 22 | 15 | 22 | 9 | 42 | 34.5 | 16 | 3.3x15.5 | WP2210853 |
| | R1/4 | 17 | 18.5 | 26 | 11 | 41.5 | 36 | 18 | 4.3x19 | WP2211051 |
| 12 | R3/8 | 17 | 18.5 | 26 | 11 | 42 | 36 | 18 | 4.3x19 | WP2211052 |
| | R1/2 | 22 | 18.5 | 26 | 11 | 45.5 | 38 | 18 | 4.3x19 | WP2211053 |
| | R1/4 | 19 | 21 | 27.5 | 12 | 44 | 38.5 | 18.5 | 4.3x21.5 | WP2211251 |
| 14 | R3/8 | 19 | 21 | 27.5 | 12 | 44.5 | 38.5 | 18.5 | 4.3x21.5 | WP2211252 |
| | R1/2 | 22 | 21 | 27.5 | 12 | 47 | 39.5 | 18.5 | 4.3x21.5 | WP2211253 |
| | 1/2 | 22 | 23 | 29 | 13 | 50.5 | 43 | 21.5 | 4.3x23.5 | WP2211453 |
| 16 | 3/4 | 27 | 23 | 29 | 13 | 51.5 | 42.5 | 21.5 | 4.3x23.5 | WP2211454 |
| | 1/2 | 24 | 25.5 | 31.5 | 14.5 | 54 | 46.5 | 22.5 | 4.3x26 | WP2211653 |
| | 3/4 | 27 | 25.5 | 31.5 | 14.5 | 54 | 45 | 22.5 | 4.3x26 | WP2211654 |
| | 1 | 36 | 25.5 | 31.5 | 14.5 | 61 | 51 | 22.5 | 4.3x26 | WP2211655 |

Extended Male Elbow



| Applicable Tube OD | Thread R | Hex | ØD | L1 | L2 | L3 | L4 | A | Ød x H | Ordering No |
|--------------------|----------|-----|------|------|-----|------|------|------|----------|-------------|
| 4 | 1/4 | 14 | 10.5 | 18.5 | 6.5 | 44 | 37.5 | 14.5 | 3.3x11 | WP2230451 |
| 6 | 1/8 | 12 | 12.5 | 20 | 7.5 | 47 | 43.5 | 15.5 | 3.3x13 | WP2230650 |
| | 1/4 | 14 | 12.5 | 20 | 7.5 | 47.5 | 42 | 15.5 | 3.3x13 | WP2230651 |
| 8 | 1/4 | 14 | 15 | 22 | 9 | 55 | 49.5 | 16 | 3.3x15.5 | WP2230851 |
| 10 | 1/4 | 17 | 18.5 | 26 | 11 | 64 | 58.5 | 18.5 | 4.3x19 | WP2231051 |
| | 3/8 | 17 | 18.5 | 26 | 11 | 64.5 | 58.5 | 18.5 | 4.3x19 | WP2231052 |
| 12 | 1/2 | 22 | 21 | 27.5 | 12 | 71 | 63.5 | 18.5 | 4.3x21.5 | WP2231253 |

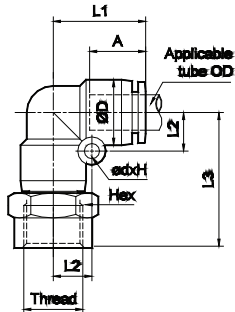
* M5 threads are supplied with sealing washer
A - Tube insertion length

ONE TOUCH FITTINGS

Series WP2

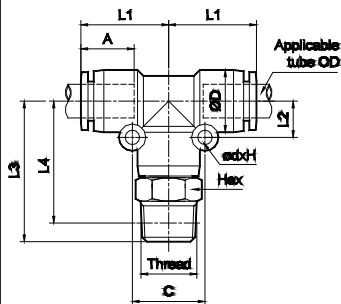
Cat No WP2 - 01 - D

Female Elbow



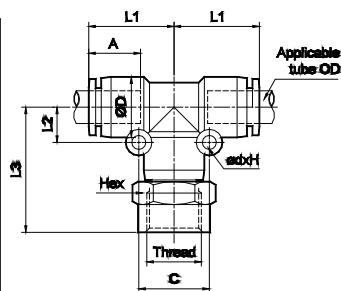
| Applicable Tube OD | Thread (G) | Hex | ØD | L1 | L2 | L3 | A | Ød x H | Ordering No |
|--------------------|------------|-----|------|----|-----|------|------|----------|-------------|
| 6 | 1/8 | 14 | 12.5 | 20 | 7.5 | 28 | 15.5 | 3.3x13 | WP2220660 |
| | 1/4 | 17 | 12.5 | 20 | 7.5 | 33 | 15.5 | 3.3x13 | WP2220661 |
| 8 | 1/4 | 17 | 15 | 22 | 9 | 34 | 16 | 3.3x15.5 | WP2220861 |
| 14 | 1/2 | 27 | 23 | 29 | 13 | 45.5 | 21.5 | 4.3x23.5 | WP2221463 |

Male Branch Tee



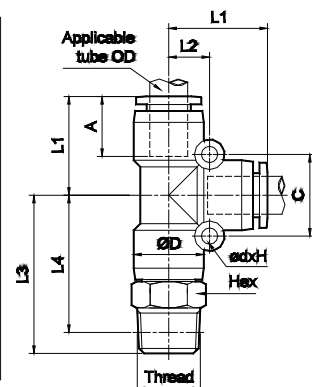
| Applicable Tube OD | Thread (R) | Hex | ØD | L1 | L2 | L3 | L4 | C | A | ØdxH | Ordering No |
|--------------------|------------|-----|------|------|-----|------|------|----|------|----------|-------------|
| 4 | 1/8 | 10 | 10.5 | 18.5 | 6.5 | 30 | 26.5 | 13 | 14.5 | 3.3x11 | WP2310450 |
| | 1/4 | 14 | 10.5 | 18.5 | 6.5 | 32 | 26.5 | 13 | 14.5 | 3.3x11 | WP2310451 |
| 6 | 1/8 | 12 | 12.5 | 20 | 7.5 | 31.5 | 28 | 15 | 15.5 | 3.3x13 | WP2310650 |
| | 1/4 | 14 | 12.5 | 20 | 7.5 | 33.5 | 28 | 15 | 15.5 | 3.3x13 | WP2310651 |
| 8 | 1/8 | 14 | 15 | 22 | 9 | 33.5 | 30 | 18 | 16 | 3.3x15.5 | WP2310850 |
| | 1/4 | 14 | 15 | 22 | 9 | 37 | 31.5 | 18 | 16 | 3.3x15.5 | WP2310851 |
| | 3/8 | 17 | 15 | 22 | 9 | 36.5 | 30.5 | 18 | 16 | 3.3x15.5 | WP2310852 |
| 10 | 1/4 | 17 | 18.5 | 26 | 11 | 41.5 | 36 | 22 | 18 | 4.3x19 | WP2311051 |
| | 3/8 | 17 | 18.5 | 26 | 11 | 42 | 36 | 22 | 18 | 4.3x19 | WP2311052 |
| 12 | 3/8 | 19 | 21 | 27.5 | 12 | 44.5 | 38.5 | 24 | 18.5 | 4.3x21.5 | WP2311252 |
| | 1/2 | 22 | 21 | 27.5 | 12 | 47 | 39.5 | 24 | 18.5 | 4.3x21.5 | WP2311253 |
| 14 | 1/2 | 22 | 23 | 29 | 13 | 50.5 | 43 | 26 | 21.5 | 4.3x23.5 | WP2311453 |

Female Branch Tee



| Applicable Tube OD | Thread (G) | Hex | ØD | L1 | L2 | L3 | C | A | Ød x H | Ordering No |
|--------------------|------------|-----|------|----|-----|----|----|------|----------|-------------|
| 6 | 1/8 | 14 | 12.5 | 20 | 7.5 | 28 | 15 | 15.5 | 3.3x13 | WP2320660 |
| | 1/4 | 17 | 12.5 | 20 | 7.5 | 33 | 15 | 15.5 | 3.3x13 | WP2320661 |
| 8 | 1/4 | 17 | 15 | 22 | 9 | 34 | 18 | 16 | 3.3x15.5 | WP2320861 |

Male Run Tee



| Applicable Tube OD | Thread (R) | Hex | ØD | L1 | L2 | L3 | L4 | C | A | Ød x H | Ordering No |
|--------------------|------------|-----|------|------|-----|------|------|----|------|----------|-------------|
| 4 | 1/8 | 10 | 10.5 | 18.5 | 6.5 | 30 | 26.5 | 13 | 14.5 | 3.3x11 | WP2330450 |
| | 1/4 | 14 | 10.5 | 18.5 | 6.5 | 32 | 26.5 | 13 | 14.5 | 3.3x11 | WP2330451 |
| 6 | 1/8 | 12 | 12.5 | 20 | 7.5 | 31.5 | 28 | 15 | 15.5 | 3.3x13 | WP2330650 |
| | 1/4 | 14 | 12.5 | 20 | 7.5 | 33.5 | 28 | 15 | 15.5 | 3.3x13 | WP2330651 |
| 8 | 1/8 | 14 | 15 | 22 | 9 | 33.5 | 30 | 18 | 16 | 3.3x15.5 | WP2330850 |
| | 1/4 | 14 | 15 | 22 | 9 | 37 | 31.5 | 18 | 16 | 3.3x15.5 | WP2330851 |
| | 3/8 | 17 | 15 | 22 | 9 | 36.5 | 30.5 | 18 | 16 | 3.3x15.5 | WP2330852 |
| 10 | 1/4 | 17 | 18.5 | 26 | 11 | 41.5 | 36 | 22 | 18 | 4.3x19 | WP2331051 |
| | 3/8 | 17 | 18.5 | 26 | 11 | 42 | 36 | 22 | 18 | 4.3x19 | WP2331052 |
| 12 | 3/8 | 19 | 21 | 27.5 | 12 | 44.5 | 38.5 | 24 | 18.5 | 4.3x21.5 | WP2331252 |
| | 1/2 | 22 | 21 | 27.5 | 12 | 47 | 39.5 | 24 | 18.5 | 4.3x21.5 | WP2331253 |

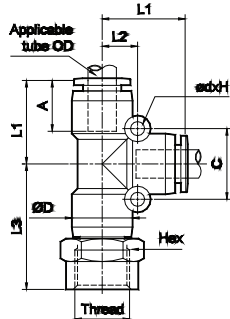
A - Tube insertion length

ONE TOUCH FITTINGS

Series WP2

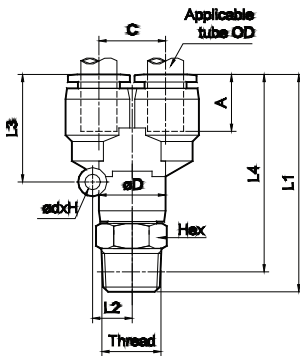
Cat No WP2 - 01 - D

Female Run Tee



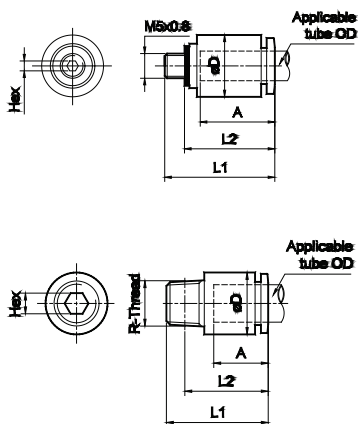
| Applicable Tube OD | Thread (G) | Hex | ØD | L1 | L2 | L3 | C | A | Ød x H | Ordering No |
|--------------------|------------|-----|------|----|-----|----|----|------|----------|-------------|
| 6 | 1/8 | 14 | 12.5 | 20 | 7.5 | 28 | 15 | 15.5 | 3.3x13 | WP2340660 |
| | 1/4 | 17 | 12.5 | 20 | 7.5 | 33 | 15 | 15.5 | 3.3x13 | WP2340661 |
| 8 | 1/4 | 17 | 15 | 22 | 9 | 34 | 18 | 16 | 3.3x15.5 | WP2340861 |

Male Branch 'Y'



| Applicable Tube OD | Thread (R) | Hex | ØD | L1 | L2 | L3 | L4 | C | A | ØdxH | Ordering No |
|--------------------|------------|-----|------|------|-----|------|------|------|------|----------|-------------|
| 4 | 1/8 | 10 | 10.5 | 42.5 | 6.5 | 19 | 39 | 10 | 14.5 | 3.3x11 | WP2410450 |
| | 1/4 | 14 | 10.5 | 44.5 | 6.5 | 19 | 39 | 10 | 14.5 | 3.3x11 | WP2410451 |
| 6 | 1/8 | 12 | 12.5 | 46 | 7.5 | 22 | 42.5 | 12 | 15.5 | 3.3x13 | WP2410650 |
| | 1/4 | 14 | 12.5 | 48 | 7.5 | 22 | 42.5 | 12 | 15.5 | 3.3x13 | WP2410651 |
| 8 | 1/8 | 14 | 15 | 49.5 | 9 | 24.5 | 46 | 14.5 | 16 | 3.3x15.5 | WP2410850 |
| | 1/4 | 14 | 15 | 53 | 9 | 24.5 | 47.5 | 14.5 | 16 | 3.3x15.5 | WP2410851 |
| | 3/8 | 17 | 15 | 52.5 | 9 | 24.5 | 46.5 | 14.5 | 16 | 3.3x15.5 | WP2410852 |
| 10 | 1/4 | 17 | 18.5 | 59.5 | 11 | 29.5 | 54 | 18 | 18 | 4.3x19 | WP2411051 |
| | 3/8 | 17 | 18.5 | 60 | 11 | 29.5 | 54 | 18 | 18 | 4.3x19 | WP2411052 |
| 12 | 3/8 | 19 | 21 | 64 | 12 | 32 | 58 | 20 | 18.5 | 4.3x21.5 | WP2411252 |
| | 1/2 | 22 | 21 | 66.5 | 12 | 32 | 59 | 20 | 18.5 | 4.3x21.5 | WP2411253 |

Male Connector (Internal Hexagon Socket)



| Applicable Tube OD | Thread | Hex | ØD | L1 | L2 | A | Ordering No |
|--------------------|------------|-----|------|------|------|------|-------------|
| 4 | * M5 x 0.8 | 2 | 10.5 | 21 | 17.5 | 14.5 | WP2130470 |
| | R1/8 | 2.5 | 10.5 | 21.5 | 18 | 14.5 | WP2130450 |
| | R1/4 | 2.5 | 13.5 | 17.5 | 12 | 14.5 | WP2130451 |
| 6 | * M5 x 0.8 | 2 | 12.5 | 22 | 18.5 | 15.5 | WP2130670 |
| | R1/8 | 4 | 12.5 | 23 | 19.5 | 15.5 | WP2130650 |
| | R1/4 | 4 | 13.5 | 22.5 | 17 | 15.5 | WP2130651 |
| 8 | R3/8 | 4 | 17 | 19 | 13 | 15.5 | WP2130652 |
| | R1/8 | 4 | 14.5 | 25.5 | 22 | 16 | WP2130850 |
| | R1/4 | 6 | 14.5 | 27 | 21.5 | 16 | WP2130851 |
| 8 | R3/8 | 6 | 17 | 22.5 | 16.5 | 16 | WP2130852 |
| | R1/2 | 6 | 21.5 | 21.5 | 14 | 16 | WP2130853 |
| | R1/8 | 4 | 18 | 28 | 24.5 | 18 | WP2131050 |
| 10 | R1/4 | 6 | 18 | 29.5 | 24 | 18 | WP2131051 |
| | R3/8 | 6 | 18 | 30 | 24 | 18 | WP2131052 |
| | R1/2 | 6 | 21.5 | 23.5 | 16 | 18 | WP2131053 |
| 12 | R1/4 | 6 | 20 | 32 | 26.5 | 18.5 | WP2131251 |
| | R3/8 | 8 | 20 | 30.5 | 24.5 | 18.5 | WP2131252 |
| | R1/2 | 8 | 21.5 | 32.5 | 25 | 18.5 | WP2131253 |

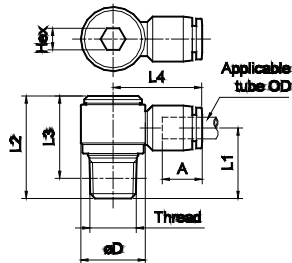
* M5 threads are supplied with sealing washer
A - Tube insertion length

ONE TOUCH FITTINGS

Series WP2

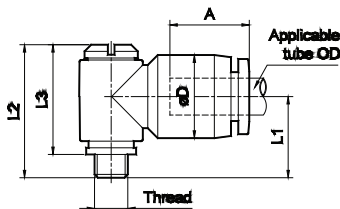
Cat No WP2 - 01 - D

Single Swivel (Internal Hexagon Socket)



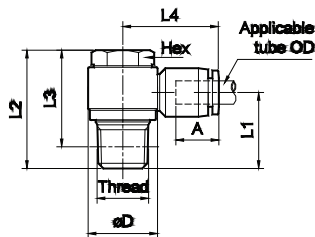
| Applicable Tube OD | Thread (R) | Hex | ØD | L1 | L2 | L3 | L4 | A | Ordering No |
|--------------------|------------|-----|------|------|------|------|------|------|-------------|
| 4 | 1/8 | 5 | 13.5 | 15 | 22 | 18.5 | 22 | 14.5 | WS0210450 |
| 6 | 1/8 | 5 | 13.5 | 15.5 | 22 | 18.5 | 23 | 15.5 | WS0210650 |
| | 1/4 | 6 | 18 | 20 | 28.5 | 23 | 25 | 15.5 | WS0210651 |
| 8 | 1/8 | 5 | 13.5 | 17.5 | 22 | 18.5 | 27 | 17 | WS0210850 |
| | 1/4 | 6 | 18 | 20.5 | 28.5 | 23 | 27.5 | 17 | WS0210851 |
| | 3/8 | 8 | 22 | 23 | 32.5 | 26.5 | 29.5 | 17 | WS0210852 |
| | 1/2 | 10 | 28 | 26.5 | 38 | 30.5 | 32.5 | 17 | WS0210853 |
| 10 | 1/4 | 6 | 18 | 22.5 | 28.5 | 23 | 32.5 | 20 | WS0211051 |
| | 3/8 | 8 | 22 | 24 | 32.5 | 26.5 | 34.5 | 20 | WS0211052 |
| | 1/2 | 10 | 28 | 27.5 | 38 | 30.5 | 36.5 | 20 | WS0211053 |
| 12 | 3/8 | 8 | 22 | 25 | 32.5 | 26.5 | 36 | 20.5 | WS0211252 |
| | 1/2 | 10 | 28 | 28.5 | 38 | 30.5 | 37.5 | 20.5 | WS0211253 |

Single Swivel (Slotted Head)



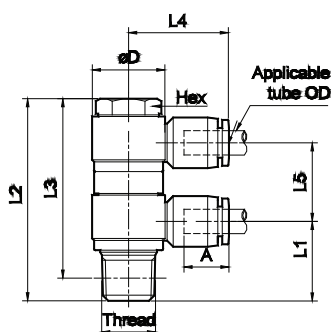
| Applicable Tube OD | Thread | ØD | L1 | L2 | L3 | A | Ordering No |
|--------------------|------------|------|------|----|------|------|-------------|
| 4 | * M5 x 0.8 | 10.5 | 12.5 | 20 | 16.5 | 14.5 | WS0010470 |
| 6 | * M5 x 0.8 | 12.5 | 12.5 | 20 | 16.5 | 15.5 | WS0010670 |

Single Swivel (Hexagon Head)



| Applicable Tube OD | Thread (R) | Hex | ØD | L1 | L2 | L3 | L4 | A | Ordering No |
|--------------------|------------|-----|------|------|------|------|------|------|-------------|
| 4 | 1/8 | 12 | 13.5 | 15 | 24.5 | 21 | 22 | 14.5 | WS0110450 |
| 6 | 1/8 | 12 | 13.5 | 15.5 | 24.5 | 21 | 23 | 15.5 | WS0110650 |
| | 1/4 | 14 | 18 | 20 | 30.5 | 25 | 25 | 15.5 | WS0110651 |
| 8 | 1/8 | 12 | 13.5 | 17.5 | 24.5 | 21 | 27 | 17 | WS0110850 |
| | 1/4 | 14 | 18 | 20.5 | 30.5 | 25 | 27.5 | 17 | WS0110851 |
| | 3/8 | 19 | 22 | 23 | 36.5 | 30.5 | 29.5 | 17 | WS0110852 |
| | 1/2 | 24 | 28 | 26.5 | 42 | 34.5 | 32.5 | 17 | WS0110853 |
| 10 | 1/4 | 14 | 18 | 22.5 | 30.5 | 25 | 32.5 | 20 | WS0111051 |
| | 3/8 | 19 | 22 | 24 | 36.5 | 30.5 | 34.5 | 20 | WS0111052 |
| | 1/2 | 24 | 28 | 27.5 | 42 | 34.5 | 36.5 | 20 | WS0111053 |
| 12 | 3/8 | 19 | 22 | 25 | 36.5 | 30.5 | 36 | 20.5 | WS0111252 |
| | 1/2 | 24 | 28 | 28.5 | 42 | 34.5 | 37.5 | 20.5 | WS0111253 |

Double Swivel



| Applicable Tube OD | Thread (R) | Hex | ØD | L1 | L2 | L3 | L4 | L5 | A | Ordering No |
|--------------------|------------|-----|------|------|------|------|------|------|------|-------------|
| 4 | 1/8 | 12 | 13.5 | 15 | 40 | 36.5 | 22 | 15.5 | 14.5 | WS0120450 |
| 6 | 1/8 | 12 | 13.5 | 15.5 | 40 | 36.5 | 23 | 15.5 | 15.5 | WS0120650 |
| | 1/4 | 14 | 18 | 20 | 50 | 44.5 | 25 | 19.4 | 15.5 | WS0120651 |
| 8 | 1/8 | 12 | 13.5 | 17.5 | 40 | 36.5 | 27 | 15.5 | 17 | WS0120850 |
| | 1/4 | 14 | 18 | 20.5 | 50 | 44.5 | 27.5 | 19.4 | 17 | WS0120851 |
| | 3/8 | 19 | 22 | 23 | 58.5 | 52.5 | 29.5 | 21.6 | 17 | WS0120852 |
| | 1/2 | 24 | 28 | 26.5 | 63.5 | 56 | 32.5 | 21.5 | 17 | WS0120853 |
| 10 | 1/4 | 14 | 18 | 22.5 | 50 | 44.5 | 32.5 | 19.4 | 20 | WS0121051 |
| | 3/8 | 19 | 22 | 24 | 58.5 | 52.5 | 34.5 | 21.6 | 20 | WS0121052 |
| | 1/2 | 24 | 28 | 27.5 | 63.5 | 56 | 36.5 | 21.5 | 20 | WS0121053 |
| 12 | 3/8 | 19 | 22 | 25 | 58.5 | 52.5 | 36 | 21.6 | 20.5 | WS0121252 |
| | 1/2 | 24 | 28 | 28.5 | 63.5 | 56 | 37.5 | 21.5 | 20.5 | WS0121253 |

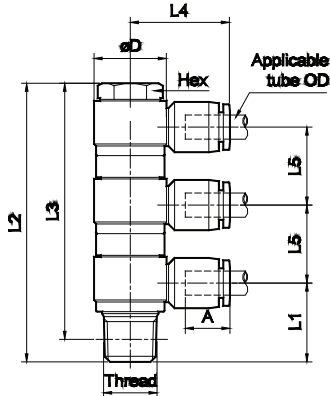
* M5 threads are supplied with sealing washer
A, A1, A2 - Tube insertion length

ONE TOUCH FITTINGS

Series WP2

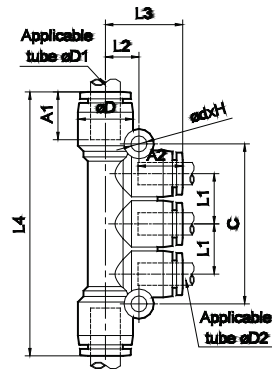
Cat No WP2 - 01 - D

Triple Swivel



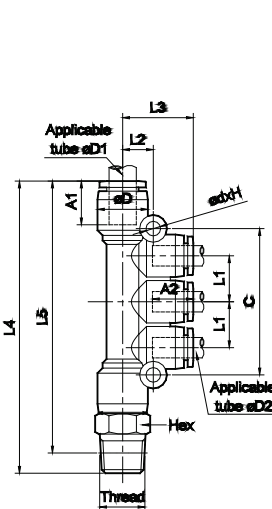
| Applicable Tube OD | Thread (R) | Hex | ØD | L1 | L2 | L3 | L4 | L5 | A | Ordering No |
|--------------------|------------|-----|------|------|------|------|------|------|------|-------------|
| 4 | 1/8 | 12 | 13.5 | 15 | 55.5 | 52 | 22 | 15.5 | 14.5 | WS0130450 |
| 6 | 1/8 | 12 | 13.5 | 15.5 | 55.5 | 52 | 23 | 15.5 | 15.5 | WS0130650 |
| | 1/4 | 14 | 18 | 20 | 69.5 | 64 | 25 | 19.4 | 15.5 | WS0130651 |
| 8 | 1/8 | 12 | 13.5 | 17.5 | 55.5 | 52 | 27 | 15.5 | 17 | WS0130850 |
| | 1/4 | 14 | 18 | 20.5 | 69.5 | 64 | 27.5 | 19.4 | 17 | WS0130851 |
| | 3/8 | 19 | 22 | 23 | 80 | 74 | 29.5 | 21.6 | 17 | WS0130852 |
| 10 | 1/2 | 24 | 28 | 26.5 | 85 | 77.5 | 32.5 | 21.5 | 17 | WS0130853 |
| | 1/4 | 14 | 18 | 22.5 | 69.5 | 64 | 32.5 | 19.4 | 20 | WS0131051 |
| | 3/8 | 19 | 22 | 24 | 80 | 74 | 34.5 | 21.6 | 20 | WS0131052 |
| 12 | 1/2 | 24 | 28 | 27.5 | 85 | 77.5 | 36.5 | 21.5 | 20 | WS0131053 |
| | 3/8 | 19 | 22 | 25 | 80 | 74 | 36 | 21.6 | 20.5 | WS0131252 |
| | 1/2 | 24 | 28 | 28.5 | 85 | 77.5 | 37.5 | 21.5 | 20.5 | WS0131253 |

Multi Distributor Union



| Applicable Tube OD | ØD1 | ØD2 | ØD | L1 | L2 | L3 | L4 | C | A1 | A2 | ØdxH | Ordering No |
|--------------------|-----|-----|------|------|----|------|------|----|------|------|----------|-------------|
| 6 | 4 | 4 | 12.5 | 11.5 | 8 | 19 | 60.5 | 37 | 15.5 | 14.5 | 4.3x13 | WD2100604 |
| 8 | 4 | 4 | 15 | 11.5 | 9 | 20 | 63 | 37 | 17 | 14.5 | 4.3x15.5 | WD2100804 |
| 8 | 6 | 6 | 15 | 13.5 | 9 | 21 | 71 | 43 | 17 | 15.5 | 4.3x15.5 | WD2100806 |
| 10 | 6 | 6 | 18.5 | 13.5 | 11 | 22 | 76 | 43 | 20 | 15.5 | 4.3x19 | WD2101006 |
| 10 | 8 | 8 | 18.5 | 16 | 11 | 24 | 82 | 51 | 20 | 17 | 4.3x19 | WD2101008 |
| 12 | 8 | 8 | 21 | 16 | 12 | 24 | 84.5 | 51 | 20.5 | 17 | 4.3x21.5 | WD2101208 |
| 12 | 10 | 10 | 21 | 19.5 | 12 | 27.5 | 92.5 | 61 | 20.5 | 20 | 4.3x21.5 | WD2101210 |

Multi Distributor Male



| Applicable Tube OD | Thread (R) | Hex | ØD | L1 | L2 | L3 | L4 | L5 | C | A1 | A2 | ØdxH | Ordering No |
|--------------------|------------|-----|------|------|----|------|-------|------|----|------|------|----------|-------------|
| 6 | 1/8 | 12 | 12.5 | 11.5 | 8 | 19 | 72 | 68.5 | 37 | 15.5 | 14.5 | 4.3x13 | WD211060450 |
| | 1/4 | 14 | 12.5 | 11.5 | 8 | 19 | 74 | 68.5 | 37 | 15.5 | 14.5 | 4.3x13 | WD211060451 |
| | 3/8 | 17 | 12.5 | 11.5 | 8 | 19 | 75 | 69 | 37 | 15.5 | 14.5 | 4.3x13 | WD211060452 |
| 8 | 1/8 | 14 | 15 | 11.5 | 9 | 20 | 74.5 | 71 | 37 | 17 | 14.5 | 4.3x15.5 | WD211080450 |
| | 1/4 | 14 | 15 | 11.5 | 9 | 20 | 78 | 72.5 | 37 | 17 | 14.5 | 4.3x15.5 | WD211080451 |
| | 3/8 | 17 | 15 | 11.5 | 9 | 20 | 77.5 | 71.5 | 37 | 17 | 14.5 | 4.3x15.5 | WD211080452 |
| 8 | 1/8 | 14 | 15 | 13.5 | 9 | 21 | 82.5 | 79 | 43 | 17 | 15.5 | 4.3x15.5 | WD211080650 |
| | 1/4 | 14 | 15 | 13.5 | 9 | 21 | 86 | 80.5 | 43 | 17 | 15.5 | 4.3x15.5 | WD211080651 |
| | 3/8 | 17 | 15 | 13.5 | 9 | 21 | 85.5 | 79.5 | 43 | 17 | 15.5 | 4.3x15.5 | WD211080652 |
| 10 | 1/4 | 17 | 18.5 | 13.5 | 11 | 22 | 91.5 | 86 | 43 | 20 | 15.5 | 4.3x19 | WD211100651 |
| | 3/8 | 17 | 18.5 | 13.5 | 11 | 22 | 92 | 86 | 43 | 20 | 15.5 | 4.3x19 | WD211100652 |
| | 1/2 | 22 | 18.5 | 13.5 | 11 | 22 | 95.5 | 88 | 43 | 20 | 15.5 | 4.3x19 | WD211100653 |
| 10 | 1/4 | 17 | 18.5 | 16 | 11 | 24 | 97.5 | 92 | 51 | 20 | 17 | 4.3x19 | WD211100851 |
| | 3/8 | 17 | 18.5 | 16 | 11 | 24 | 98 | 92 | 51 | 20 | 17 | 4.3x19 | WD211100852 |
| | 1/2 | 22 | 18.5 | 16 | 11 | 24 | 101.5 | 94 | 51 | 20 | 17 | 4.3x19 | WD211100853 |
| 12 | 3/8 | 19 | 21 | 16 | 12 | 24 | 101 | 95 | 51 | 20.5 | 17 | 4.3x21.5 | WD211120852 |
| | 1/2 | 22 | 21 | 16 | 12 | 24 | 103.5 | 96 | 51 | 20.5 | 17 | 4.3x21.5 | WD211120853 |
| 12 | 3/8 | 19 | 21 | 19.5 | 12 | 27.5 | 109 | 103 | 61 | 20.5 | 20 | 4.3x21.5 | WD211121052 |
| | 1/2 | 22 | 21 | 19.5 | 12 | 27.5 | 111.5 | 104 | 61 | 20.5 | 20 | 4.3x21.5 | WD211121053 |

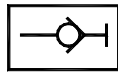
A, A1, A2 - Tube insertion length

ONE TOUCH FITTINGS

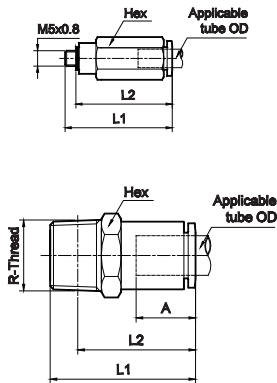
Series WP2

Cat No WP2 - 01 - D

Self Sealing Fittings



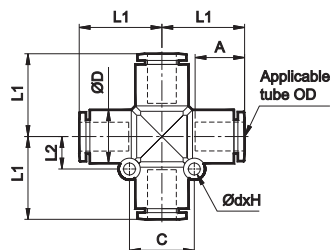
These one touch fittings (with built in self seal) seal automatically once the tubing has been removed



| Applicable Tube OD | Thread | Hex | L1 | L2 | A | Ordering No | Tube Pushing Force in kg # |
|--------------------|------------|-----|------|------|------|-------------|----------------------------|
| 4 | * M5 x 0.8 | 10 | 32.5 | 29 | 15.5 | WE20110470 | 2.5 |
| | R1/8 | 10 | 27 | 23.5 | 15.5 | WE20110450 | |
| | R1/4 | 14 | 27 | 21.5 | 15.5 | WE20110451 | |
| 6 | * M5 x 0.8 | 12 | 35 | 31.5 | 16.5 | WE20110670 | 4 |
| | R1/8 | 12 | 29 | 25.5 | 16.5 | WE20110650 | |
| | R1/4 | 14 | 29 | 23.5 | 16.5 | WE20110651 | |
| 8 | R1/8 | 14 | 35 | 31.5 | 18.5 | WE20110850 | 6 |
| | R1/4 | 14 | 35.5 | 30 | 18.5 | WE20110851 | |
| | R3/8 | 17 | 36 | 30 | 18.5 | WE20110852 | |
| 10 | R1/4 | 17 | 38 | 32.5 | 20.5 | WE20111051 | 8.5 |
| | R3/8 | 17 | 38.5 | 32.5 | 20.5 | WE20111052 | |
| | R1/2 | 22 | 39 | 31.5 | 20.5 | WE20111053 | |
| 12 | R3/8 | 19 | 44 | 38 | 22.5 | WE20111252 | 11 |
| | R1/2 | 22 | 44.5 | 37 | 22.5 | WE20111253 | |

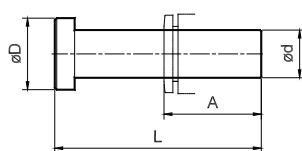
for air pressure of 7 bar

Cross Union



| Applicable Tube OD | ØD | L1 | L2 | C | A | ØdxH | Ordering No |
|--------------------|------|------|-----|----|------|------------|-------------|
| 4 | 10.5 | 18.5 | 6.5 | 13 | 15.5 | 3.3 x 11 | WP2700404 |
| 6 | 12.5 | 20 | 7.5 | 15 | 16.5 | 3.3 x 13 | WP2700606 |
| 8 | 15 | 23 | 9 | 18 | 18 | 3.3 x 15.5 | WP2700808 |
| 10 | 18.5 | 27 | 11 | 22 | 20 | 4.3 x 19 | WP2701010 |
| 12 | 21 | 28.5 | 12 | 24 | 21.5 | 4.3 x 21.5 | WP2701212 |

Plug



| Applicable Fitting size Ød | ØD | L | A | Ordering No |
|----------------------------|----|----|------|-------------|
| 4 | 10 | 42 | 14.5 | WP2600400 |
| 6 | 12 | 44 | 15.5 | WP2600600 |
| 8 | 14 | 46 | 17 | WP2600800 |
| 10 | 16 | 48 | 20 | WP2601000 |
| 12 | 18 | 52 | 20.5 | WP2601200 |

* M5 threads are supplied with sealing washer
A, A1, A2 - Tube insertion length

ONE TOUCH FITTINGS

Series WP2

Cat No WP2 - 01 - D

Tube



| Tube OD in mm | | Ø4 | Ø6 | Ø8 | Ø10 | Ø12 |
|------------------|-------|---------|---------|---------|---------|---------|
| Ordering no. for | Nylon | WH01W04 | WH01W06 | WH01W08 | WH01W10 | WH01W12 |
| | PU | WH00B04 | WH00B06 | WH00B08 | WH00B10 | WH00B12 |

Colour : Nylon - White PU - Blue

Usage instructions

(For maximum efficiency)

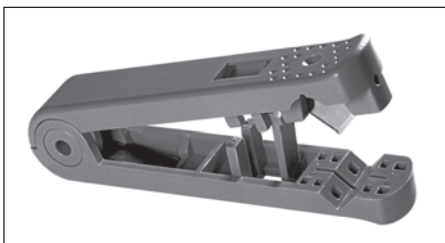
- Cut the tube - end burr free and square, using **Tube cutter (WC1)** and clean the edge to ensure leak tight joints. (Do not use blunt tools / hacksaw / chisel etc,,)
- Ensure the tube is fully inserted into the fitting - until the positive stop, beyond the '**U**' seal.
- Tightening torque for threaded components

| Thread size | Tightening torque Nm |
|-------------|----------------------|
| M5 | 1 - 1.5 |
| 1/8 | 7 - 9 |
| 1/4 | 12 - 14 |
| 3/8 | 22 - 24 |
| 1/2 | 28 - 30 |

- Minimum bend radius of the tubing to avoid leakage

| Min. bend radius for (in mm) | OD of tube | Ø4 | Ø6 | Ø8 | Ø10 | Ø12 |
|------------------------------|------------|----|----|----|-----|-----|
| | Nylon | 15 | 30 | 50 | 65 | 90 |
| | PU | 10 | 15 | 25 | 30 | 35 |

Tube Cutter



| | |
|-------------|-----|
| Ordering No | WC1 |
|-------------|-----|

Can cut tubes upto Ø12mm OD

How to Order

While ordering fittings, mention the Ordering number given in the corresponding tables, and for tubes, mention the ordering number with required length in metres.