

MANUAL & MECHANICAL VALVE

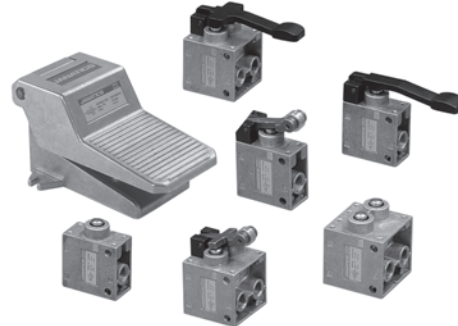
Series DP

Cat No DP - 01 - 02

MANUAL & MECHANICAL VALVES - G1/4

Features

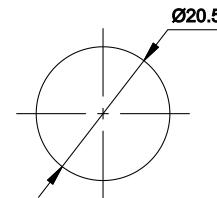
- ❑ 3/2 NO & NC, 5/2 versions
- ❑ Basic, Roller lever, Finger lever and Hand lever versions available
- ❑ Poppet seating arrangement
- ❑ No exhaust overlap



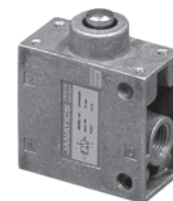
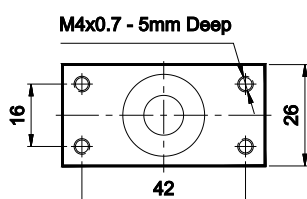
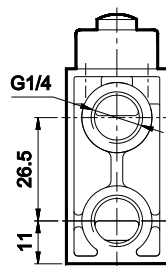
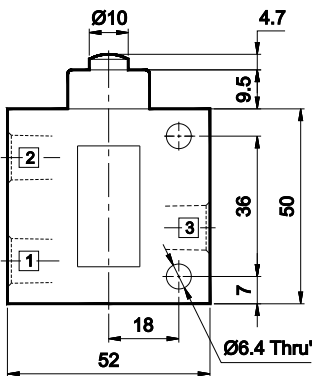
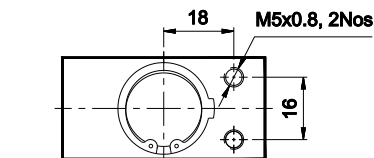
Technical Specifications

Model	3/2	5/2
Port size	G1/4	
Ambient / Medium Temperature	5° - 60° C	
Max. Working pressure	10 bar	
Medium	Compressed air, Filtered, Lubricated	
Flow	(1 → 2) - 600 lpm	(1 → 2) (1 → 4) - 550 lpm
Materials of construction	Housing : Aluminium, Seals : Nitrile	

Panel cut hole dia



3 / 2 Stem actuated valve



1 - Inlet, 2 - Outlet, 3 - Exhaust

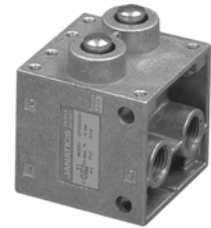
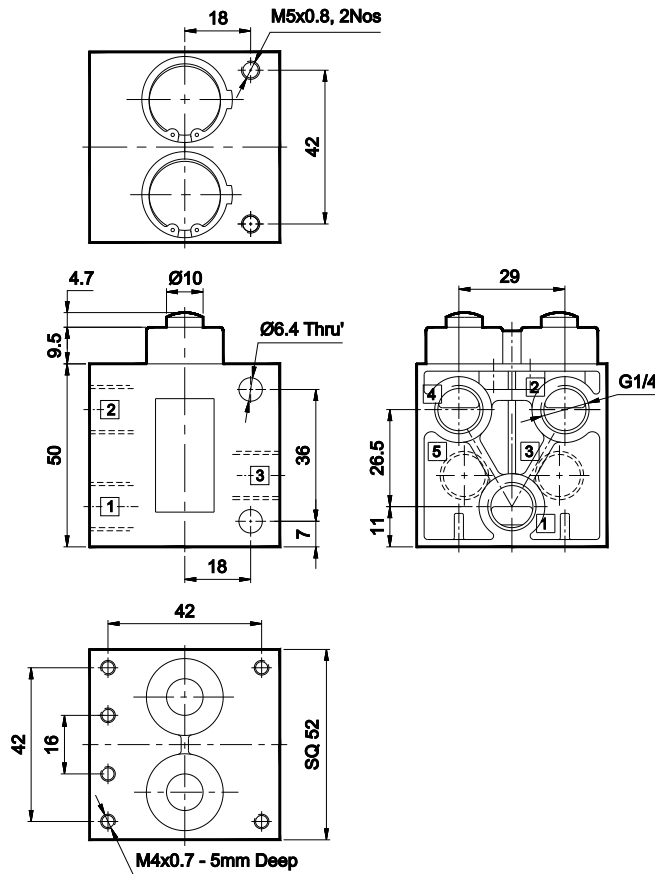
Ordering No	DP035O61	DP045O61
Symbol		

MANUAL & MECHANICAL VALVE

Series DP

Cat No DP - 01 - 02

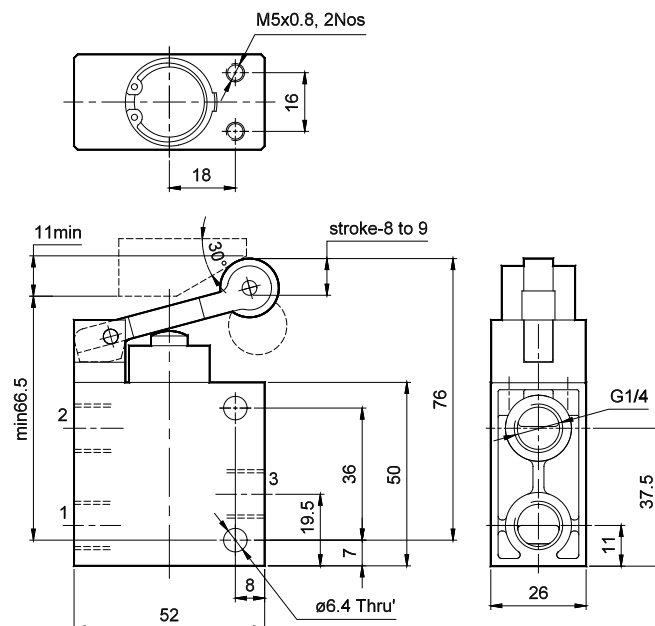
5 / 2 position Stem actuated valve



1 - Inlet, 2,4 - Outlet, 3,5 - Exhaust

Ordering No	DP055061
Symbol	

3 / 2 Poppet valve with Roller lever



1 - Inlet, 2 - Outlet, 3 - Exhaust

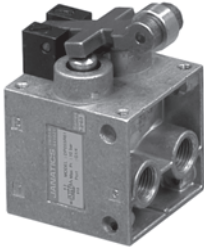
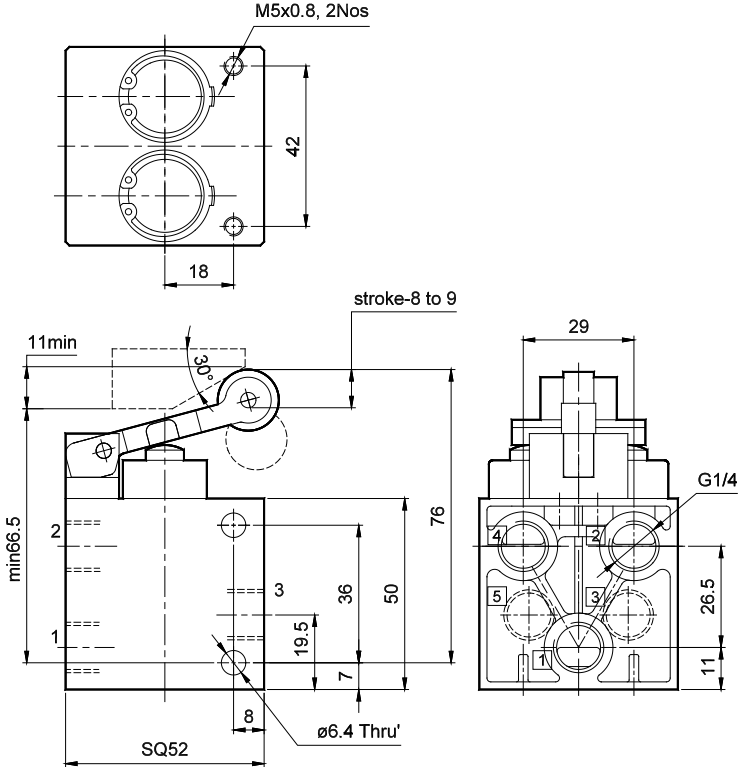
Ordering No	DP035R61	DP045R61
Symbol		

MANUAL & MECHANICAL VALVE

Series DP

Cat No DP - 01 - 02

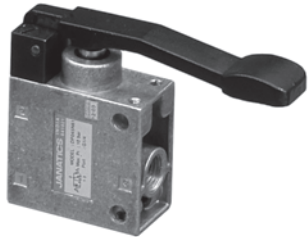
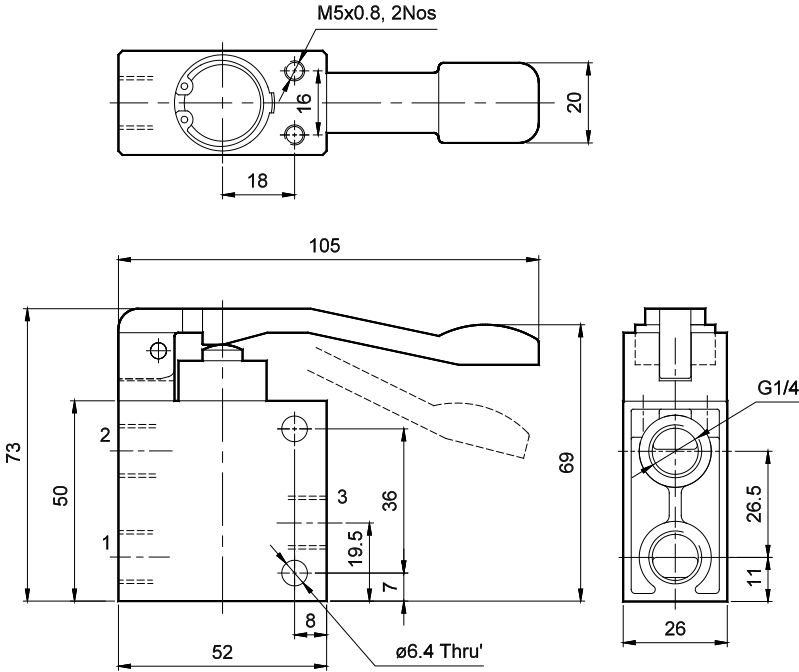
5 / 2 Poppet valve with Roller lever



1 - Inlet, 2,4 - Outlet, 3,5 - Exhaust

Ordering No	DP055R61
Symbol	

3 / 2 Poppet valve with Finger lever



1 - Inlet, 2 - Outlet, 3 - Exhaust

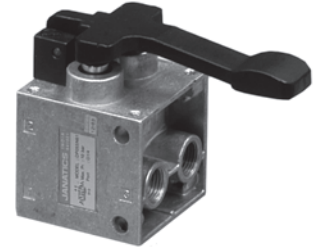
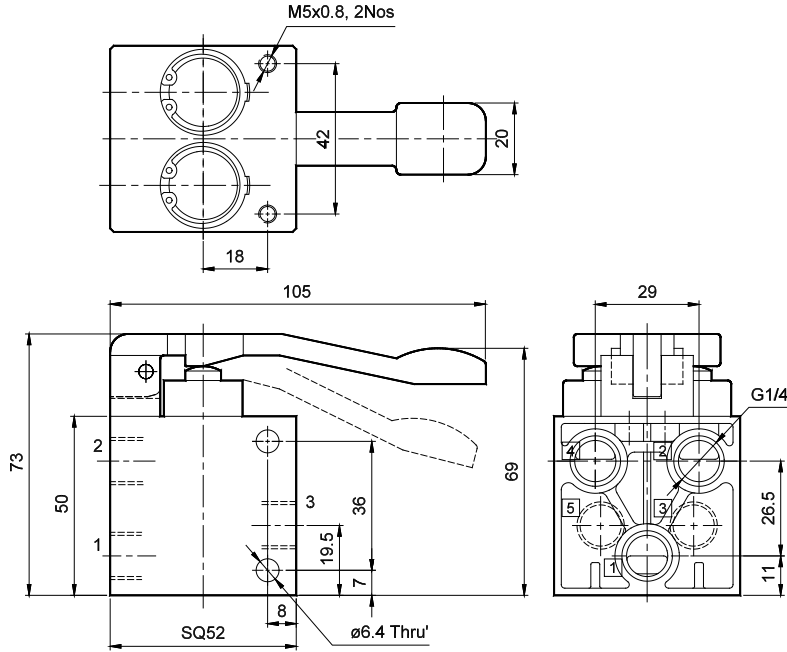
Ordering No	DP035N61	DP045N61
Symbol		

MANUAL & MECHANICAL VALVE

Series DP

Cat No DP - 01 - 02

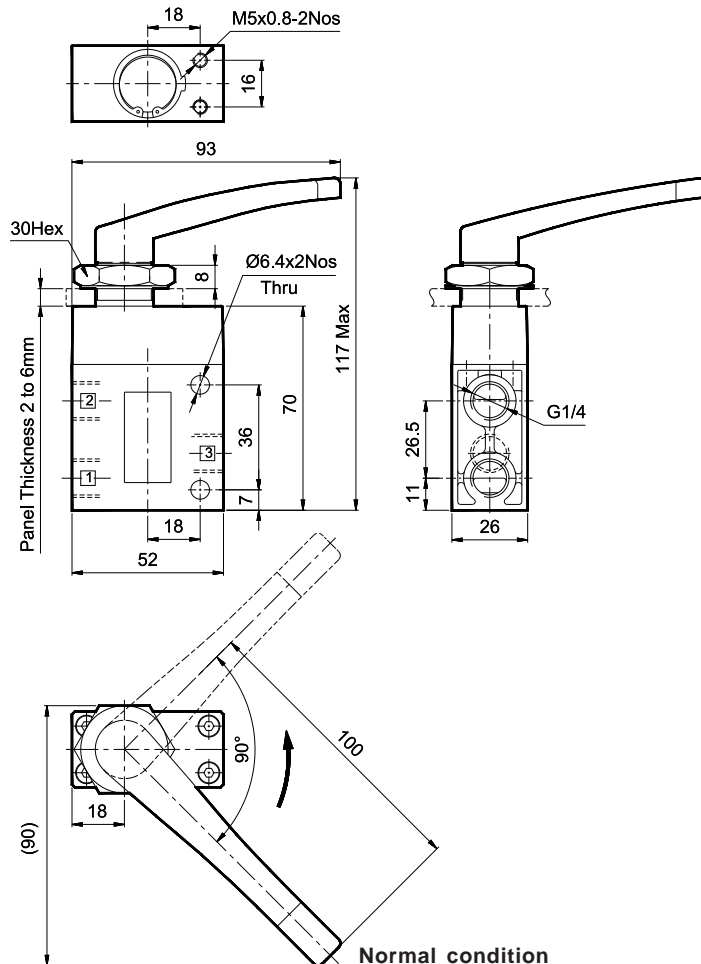
5 / 2 Poppet valve with Finger lever



1 - Inlet, 2,4 - Outlet, 3,5 - Exhaust

Ordering No	DP055N61
Symbol	

3 / 2 Poppet valve with Hand lever



1 - Inlet, 2 - Outlet, 3 - Exhaust

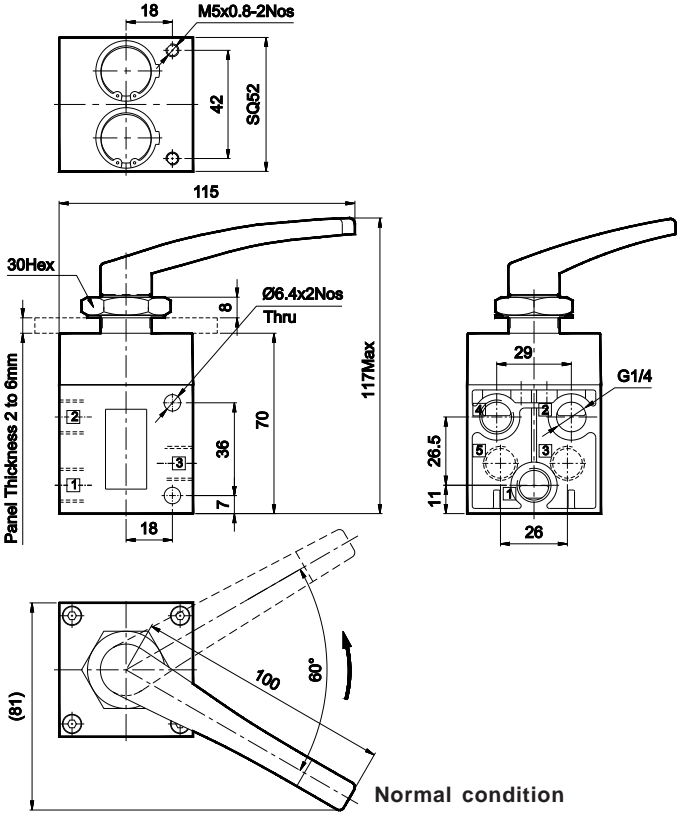
Ordering No	DP035H61	DP045H61
Type	Normally open	Normally closed
Symbol		

MANUAL & MECHANICAL VALVE

Series DP

Cat No DP - 01 - 02

5 / 2 Poppet valve with Hand lever



1 - Inlet, 2,4 - Outlet, 3,5 - Exhaust

Ordering No	DP055H61
Symbol	

How to Order

While ordering valves, mention the ordering number given in the corresponding tables.