

COMPACT VALVE - 1/8

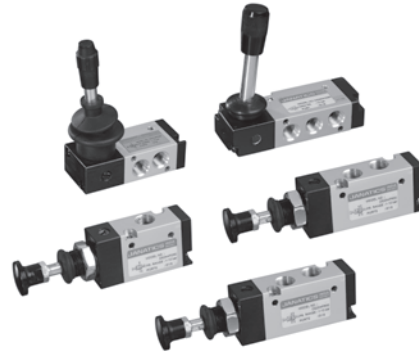
Series DS2

Cat No DS2 - 01 - 11

MANUALLY OPERATED VALVE - G1/8

Features

- Compact size
- Suitable for panel mounting
- Mounting provision for individual unit

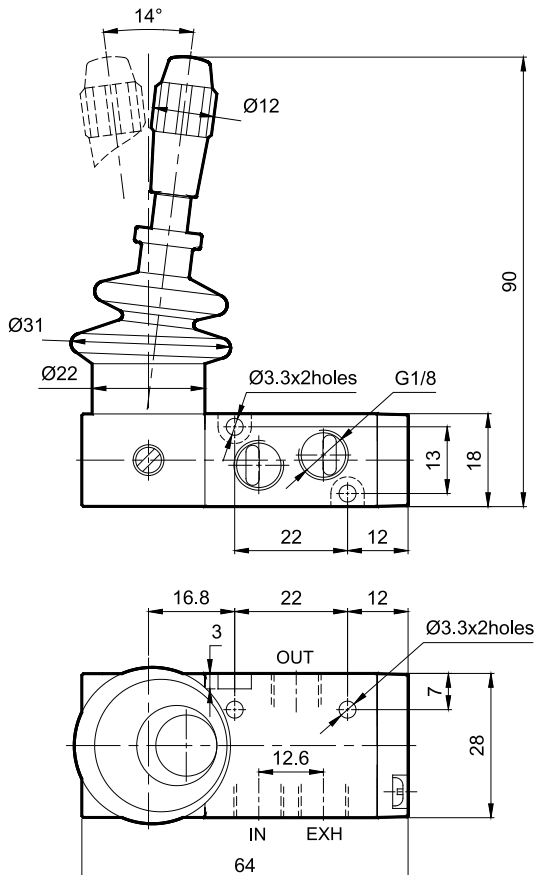


Technical Specifications

Model	DS2
Type	3/2, 5/2
Design	Spool type
Port Size	Inlet, Outlet, Exhaust - G1/8
Medium	Compressed air - Dry, filtered, lubricated
Max. Working Pressure	8 bar
Recommended oil for lubrication	ISO VG32 (Servo system 32)
Ambient / Medium temperature	5° - 60° C
Flow ®	450 lts/min
Materials of construction	Aluminium, Nitrile, Brass, Acetal

@ Inlet pressure 6 bar, and pressure drop 1 bar

3 / 2 Hand lever operated valve with spring return



1 - Inlet, 2,4 - Outlet, 3,5 - Exhaust

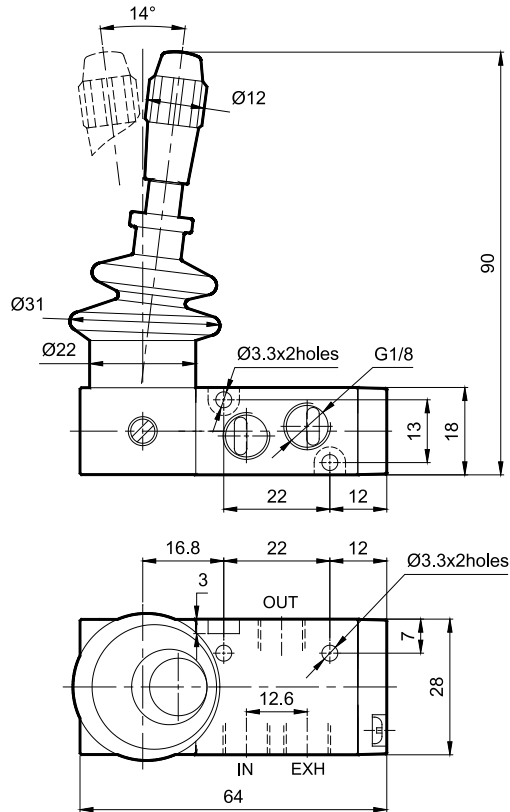
Ordering No	DS234HR60	DS244HR60
Type	Normally open	Normally closed
Symbol		

COMPACT VALVE - 1/8

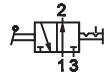
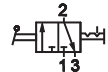
Series DS2

Cat No DS2 - 01 - 11

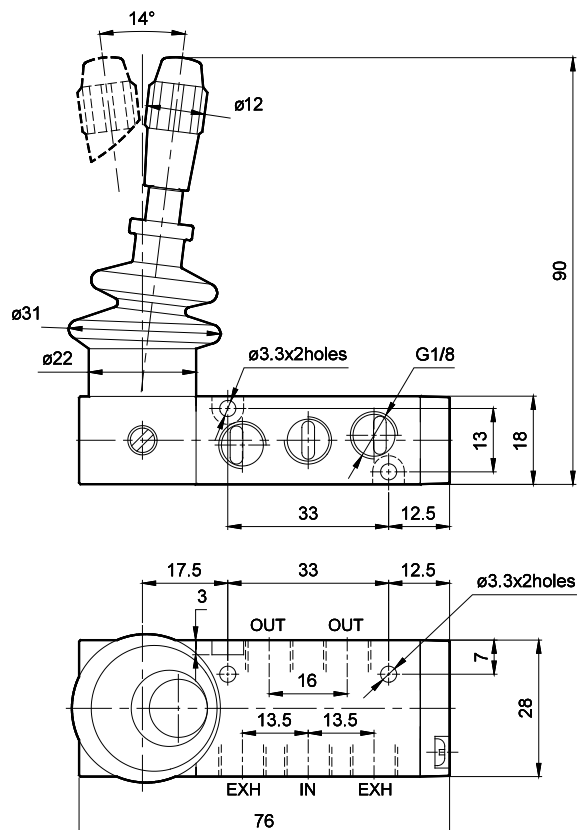
3 / 2 Hand lever operated valve with detent



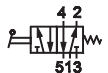
1 - Inlet, 2,4 - Outlet, 3,5 - Exhaust

Ordering No	DS234HD60	DS244HD60
Type	Normally open	Normally closed
Symbol		

5 / 2 Hand lever operated valve with spring return



1 - Inlet, 2,4 - Outlet, 3,5 - Exhaust

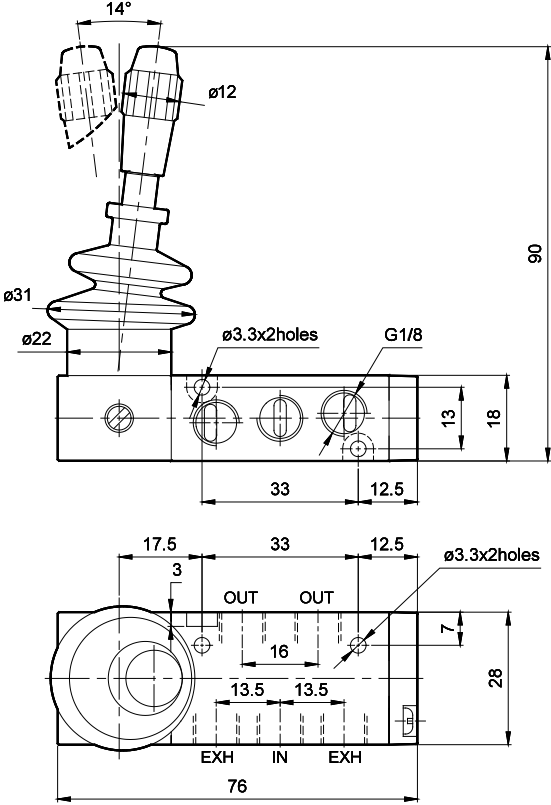
Ordering No	DS254HR60
Symbol	

COMPACT VALVE - 1/8

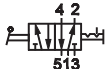
Series DS2

Cat No DS2 - 01 - 11

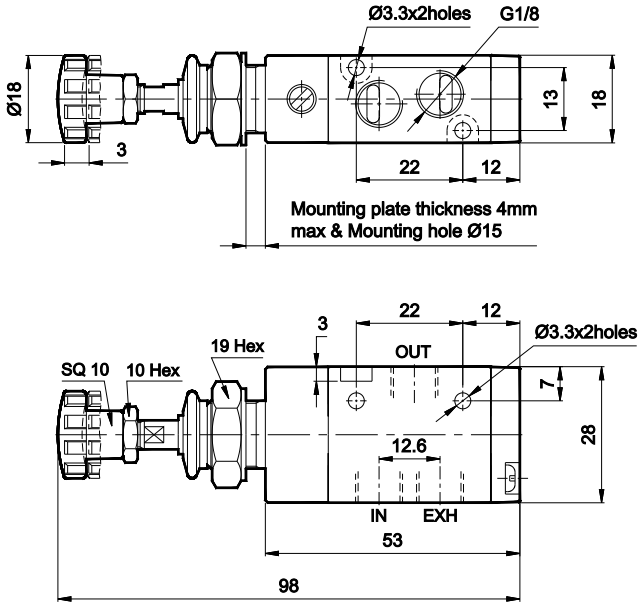
5 / 2 Hand lever operated valve with detent



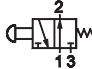
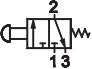
1 - Inlet, 2,4 - Outlet, 3,5 - Exhaust

Ordering No	DS254HD60
Symbol	

3 / 2 Push Pull operated valve with spring return



1 - Inlet, 2 - Outlet, 3 - Exhaust

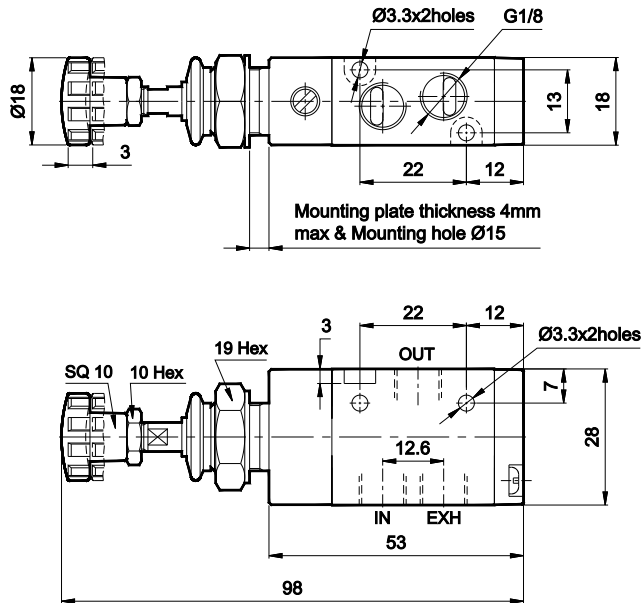
Ordering No	DS234PR60	DS244PR60
Type	Normally open	Normally closed
Symbol		

COMPACT VALVE - 1/8

Series DS2

Cat No DS2 - 01 - 11

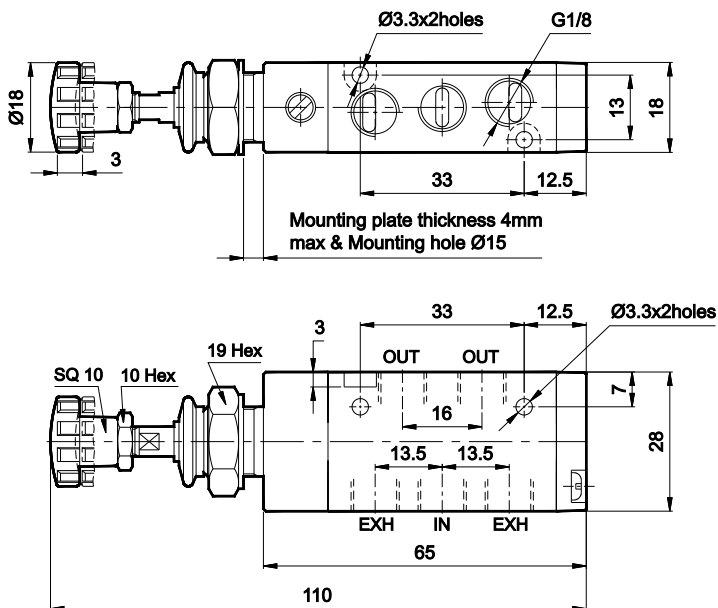
3 / 2 Push Pull operated valve with detent



1 - Inlet, 2 - Outlet, 3 - Exhaust

Ordering No	DS234PD60	DS244PD60
Type	Normally open	Normally closed
Symbol		

5 / 2 Push Pull operated valve with spring return



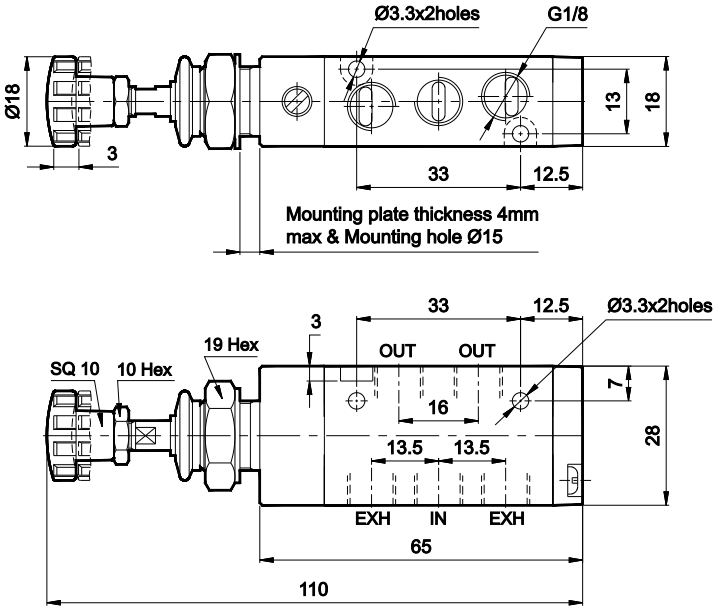
1 - Inlet, 2,4 - Outlet, 3,5 - Exhaust

Ordering No	DS254PR60
Symbol	

COMPACT VALVE - 1/8
Series DS2

Cat No DS2 - 01 - 11

5 / 2 Push Pull operated valve with detent



1 - Inlet, 2,4 - Outlet, 3,5 - Exhaust

Ordering No	DS254PD60
Symbol	

How to Order

While ordering valve, mention the ordering number given in the corresponding tables.