

COMPACT VALVE - 1/2

Series DS2

Cat No DS2 - 01 - 09

COMPACT VALVE - G1/2

Features

- ❑ Suitable for manifold mounting
- ❑ Mounting provision for individual unit
- ❑ Compact size
- ❑ Manual override
- ❑ Wide range of manifolds available
- ❑ Wide range of coil voltages

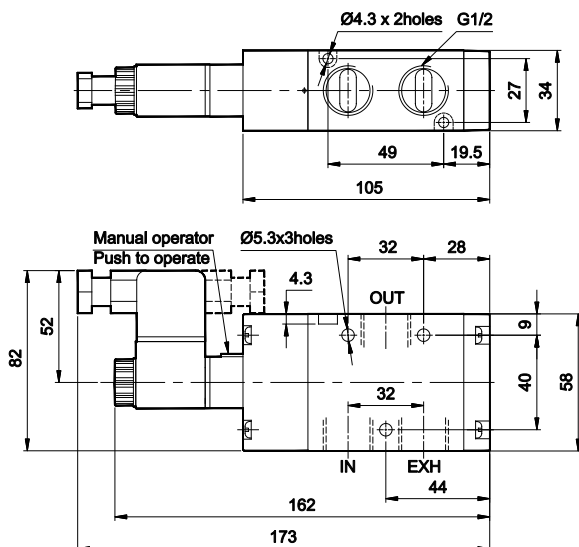


Technical Specifications

Model	DS2
Type	3/2, 5/2, 5/3
Design	Spool type
Port Size	Inlet, Outlet, Exhaust - G1/2, External pilot - G1/8
Medium	Compressed air - Dry, filtered, lubricated
Working Pressure range	2 - 10 bar
External pilot pressure (ER model)	2 - 4 bar
Recommended oil for lubrication	ISO VG32 (Servo system 32)
Ambient / Medium temperature	5° - 60° C
Flow ®	3500 lts/min
Materials of construction	Aluminium, Nitrile, Brass, Acetal, PBT, Zinc
Electrical	
Coil width	22 mm
Voltage (V) ± 10%	AC (50 Hz) - 24, 48, 110, 220
	DC - 12, 24, 48, 110
Power consumption	AC - 6 VA, DC - 5 W
Duty cycle	Continuous
Class of insulation	Class F
Type of coil protection	IP65

© Inlet pressure 6 bar, and pressure drop 1 bar

3 / 2 Single Solenoid pilot operated valve with spring return



1 - Inlet, 2 - Outlet, 3 - Exhaust

Ordering No*	DS237SR63	DS247SR63
Type	Normally open	Normally closed
Symbol		

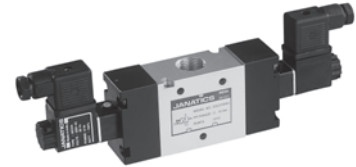
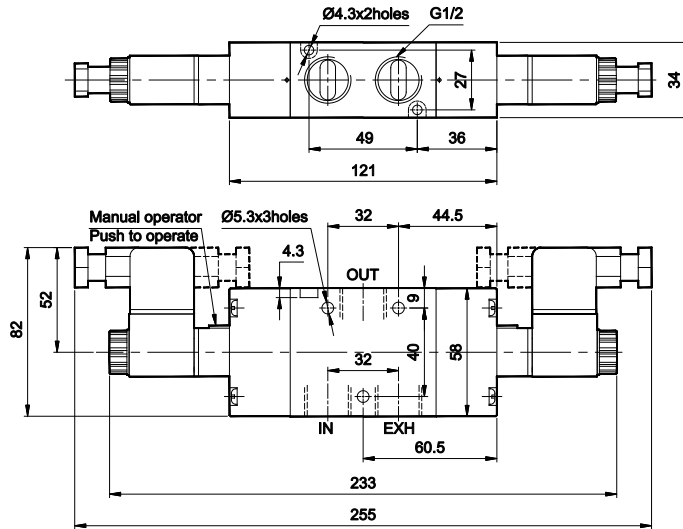
* For ordering No, voltage to be added. Refer page no. 2.3.27

COMPACT VALVE - 1/2

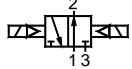
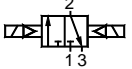
Series DS2

Cat No DS2 - 01 - 09

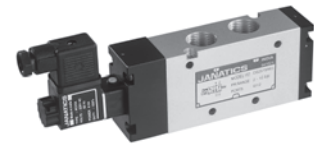
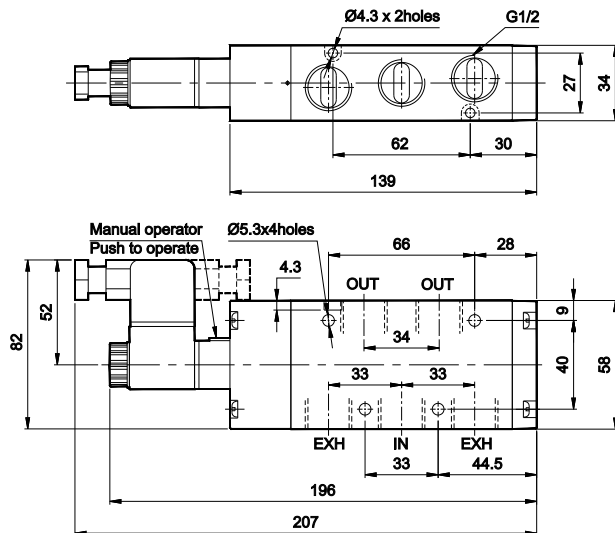
3 / 2 Double solenoid pilot operated valve



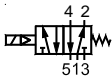
1 - Inlet, 2 - Outlet, 3 - Exhaust

Ordering No*	DS237SS63	DS247SS63
Type	Normally open	Normally closed
Symbol		

5 / 2 Single solenoid pilot operated valve with spring return



1 - Inlet, 2,4 - Outlet, 3,5 - Exhaust

Ordering No*	DS257SR63
Symbol	

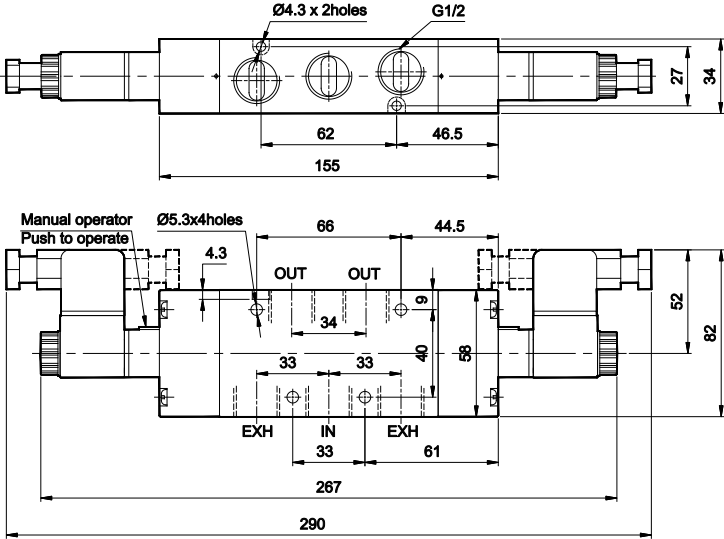
* For ordering No, voltage to be added. Refer page no. 2.3.27

COMPACT VALVE - 1/2

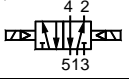
Series DS2

Cat No DS2 - 01 - 09

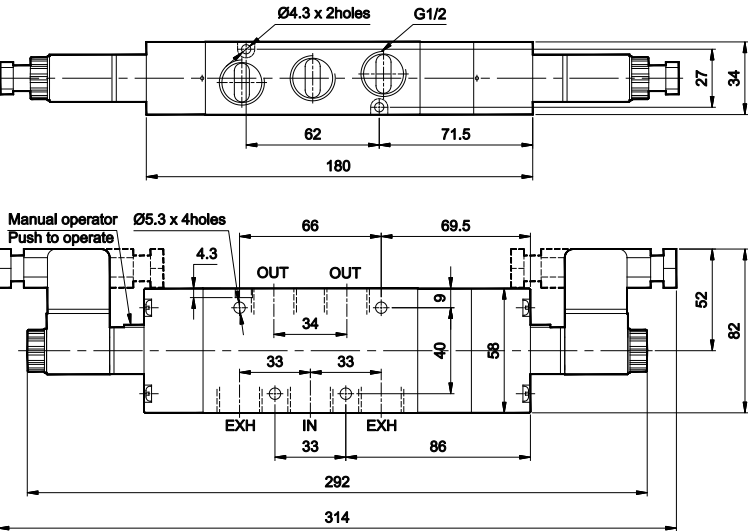
5 / 2 Double solenoid pilot operated valve



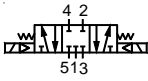
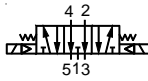
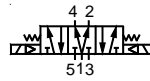
1 - Inlet, 2,4 - Outlet, 3,5 - Exhaust

Ordering No*	DS257SS63
Symbol	

5 / 3 Double solenoid pilot operated valve with spring centered



1 - Inlet, 2,4 - Outlet, 3,5 - Exhaust

Ordering No*	DS267SC63	DS277SC63	DS287SC63
Type	Blocked	Exhausted	Energised
Symbol			

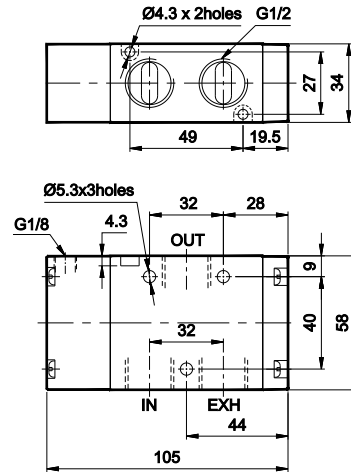
* For ordering No, voltage to be added. Refer page no. 2.3.27

COMPACT VALVE - 1/2

Series DS2

Cat No DS2 - 01 - 09

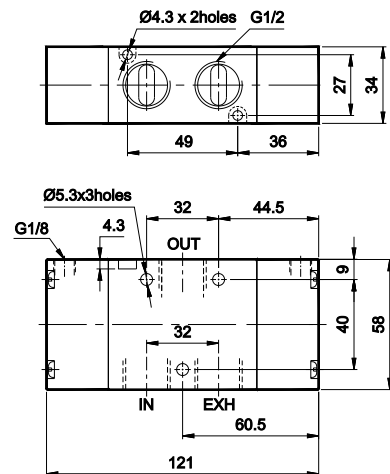
3 / 2 Single External pilot operated valve with spring return



1 - Inlet, 2 - Outlet, 3 - Exhaust 14 - External pilot

Ordering No	DS237ER63	DS247ER63
Type	Normally open	Normally closed
Symbol		

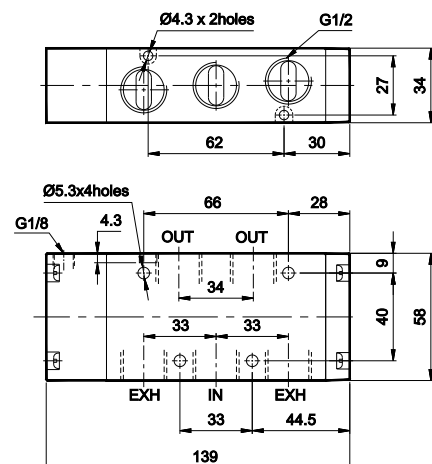
3 / 2 Double External pilot operated valve



1 - Inlet, 2 - Outlet, 3 - Exhaust 14,12 - External pilot

Ordering No	DS237EE63	DS247EE63
Type	Normally open	Normally closed
Symbol		

5 / 2 Single External pilot operated valve with spring return



1 - Inlet, 2,4 - Outlet, 3,5 - Exhaust, 14 - External pilot

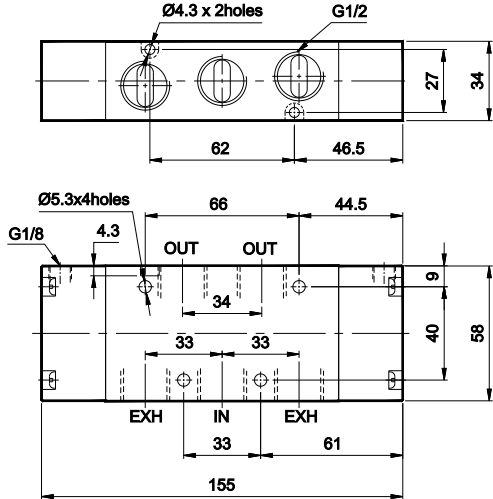
Ordering No	DS257ER63
Symbol	

COMPACT VALVE - 1/2

Series DS2

Cat No DS2 - 01 - 09

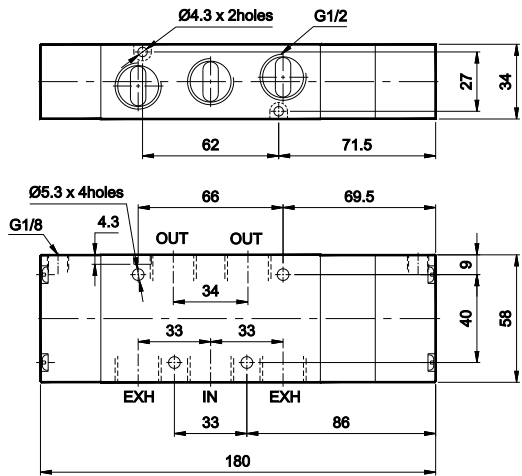
5 / 2 Double External pilot operated valve



1 - Inlet, 2,4 - Outlet, 3,5 - Exhaust, 14,12 - External pilot

Ordering No	DS257EE63
Symbol	

5 / 3 Double External pilot operated valve with spring centered



1 - Inlet, 2,4 - Outlet, 3,5 - Exhaust, 14,12 - External pilot

Ordering No	DS267EC63	DS277EC63	DS287EC63
Type	Blocked	Exhausted	Energised
Symbol			

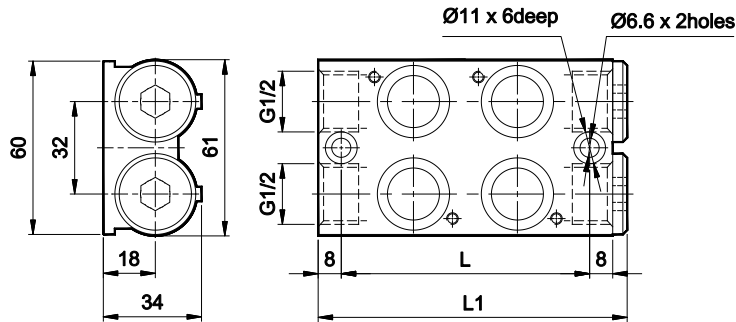
COMPACT VALVE - 1/2

Series DS2

Cat No DS2 - 01 - 09

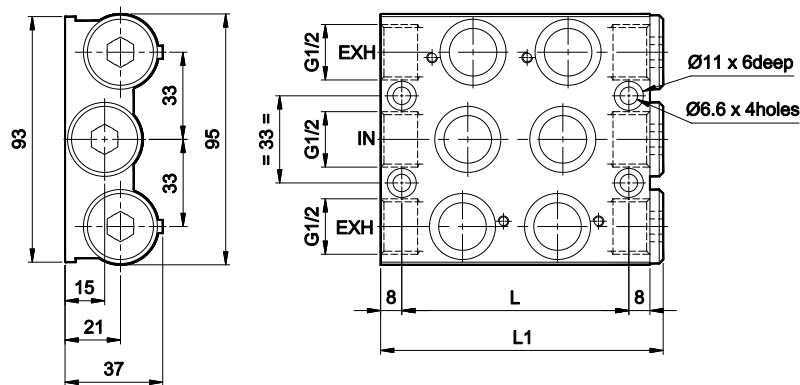
MANIFOLDS FOR COMPACT VALVE

Manifold - Type M051 (for 3/2 valves)



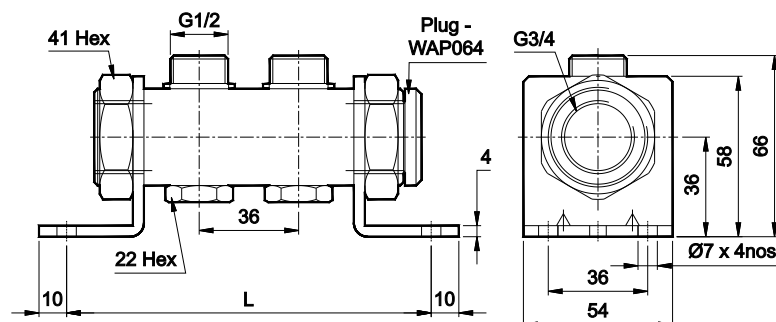
For mounting	L	L1	Ordering no
2 valves	86	107	M0510602
4 valves	158	179	M0510604
6 valves	230	251	M0510606
8 valves	302	323	M0510608

Manifold - Type M003 (for 5/2, 5/3 valves)



For mounting	L	L1	Ordering no
2 valves	86	107	M0030602
4 valves	158	179	M0030604
6 valves	230	251	M0030606
8 valves	302	323	M0030608

Manifold - Type M004 (for 3/2, 5/2, 5/3 valves)



For mounting	L	Ordering No
2 valves	132	M0040402
4 valves	204	M0040404
6 valves	276	M0040406
8 valves	348	M0040408

Note : While mounting 3/2 compact valves in M004 type manifold, use only ASC0163, ASR0163 silencers

COMPACT VALVE - 1/2
Series DS2

Cat No DS2 - 01 - 09

ACCESSORIES FOR COMPACT VALVE

Cover plate assembly for Manifold Type M051

SL. NO.	Item	Qty.	Ordering No
1	Cover plate	1	A4C05
2	Screw - M4x15	2	

Application:

The cover plate assembly can be used to plug the unutilised position in a manifold. For eg., if it is required to mount only 7 valves on manifold no. M0510608, the eighth position can be plugged and made dummy using a cover plate assembly. (refer picture above)

Cover plate assembly for Manifold Type M003

SL. NO.	Item	Qty.	Ordering No
1	Cover plate	1	A4C04
2	Screw - M4x15	2	

Application:

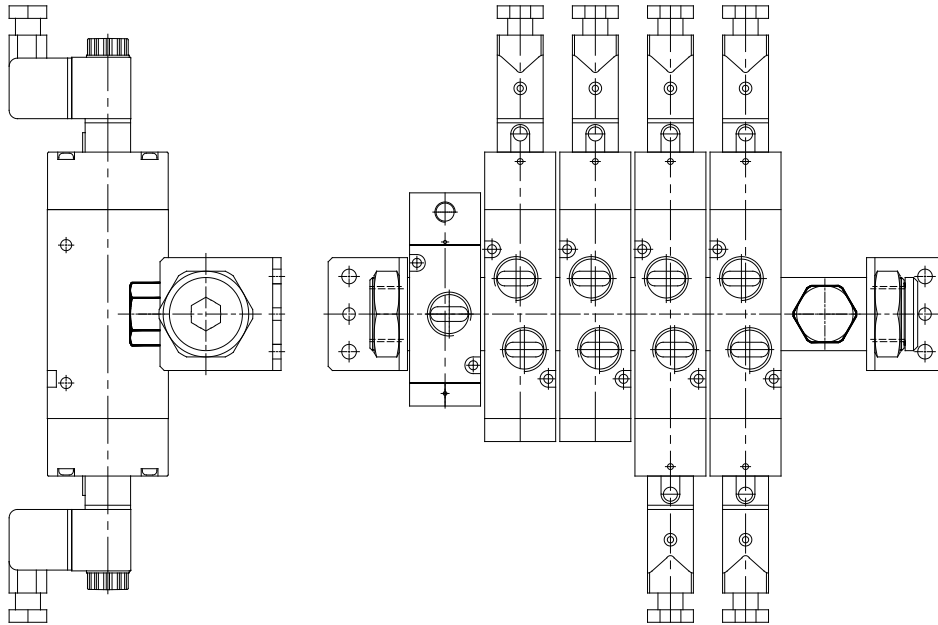
The cover plate assembly can be used to plug the unutilised position in a manifold. For eg., if it is required to mount only 7 valves on manifold no. M0030608, the eighth position can be plugged and made dummy using a cover plate assembly. (refer picture above)

COMPACT VALVE - 1/2

Series DS2

Cat No DS2 - 01 - 09

Dummy plug for Manifold Type M004



Item	Ordering No
Dummy plug	A4C09

Application:

This dummy plug can be used to plug the unutilised position in a manifold. For eg., if it is required to mount only 5 valves on manifold no. M0040406, the sixth position can be plugged and made dummy using a dummy plug. (refer picture above)

COMPACT VALVE - 1/2

Series DS2

Cat No DS2 - 01 - 09

How to order

1. Solenoid valve + “ Connectors without LED ”

While ordering Solenoid operated valves, please mention the suffix given below along with the model number to indicate the required voltage

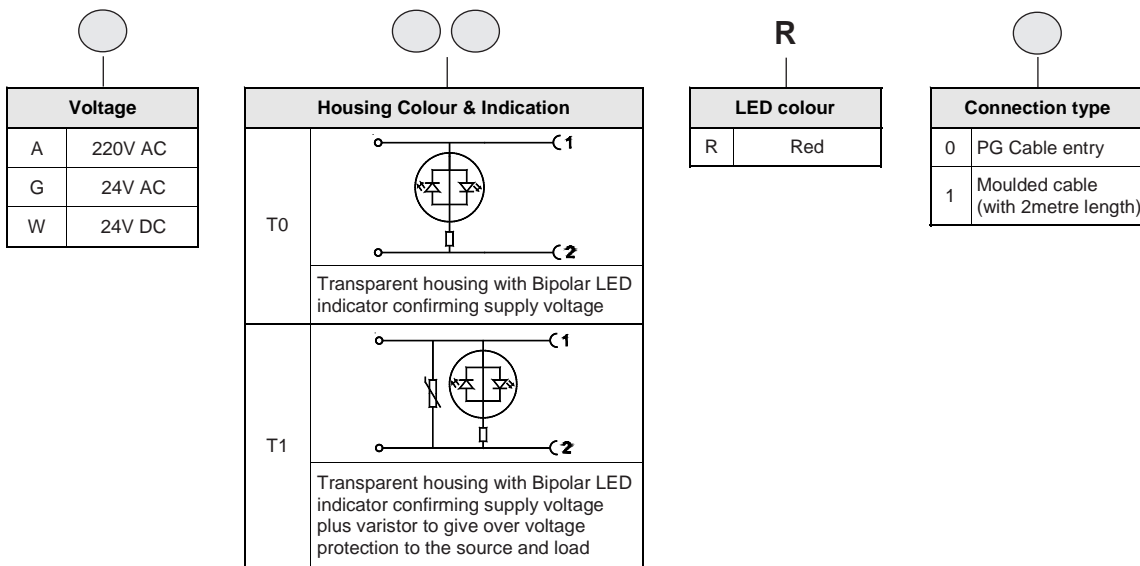
A	220V AC	Q	110V DC
B	110V AC	S	48V DC
D	48V AC	W	24V DC
G	24V AC	R	12V DC

Example

- The ordering no. for 3/2 NC Single solenoid valve, 24V D.C coil with PG cable is **DS247SR63-W**
- The ordering no. for 3/2 NC Single solenoid valve, 24V D.C coil with Moulded cable is **DS247SR63-W1**

2. Solenoid valve + “ Connectors with LED ”

While ordering Solenoid operated valves with LED connectors, given below in the corresponding tables.



Example

The Ordering no for 3/2 NC Single solenoid valve (1/2"), 24V DC, connectors with LED of Transparent colour housing with Bipolar LED and varistor, Red colour LED with moulded cable : **DS247SR63-WT1R1**

Coil spare ordering no.

Coil (without connector)	Ordering no.	
	AC	DC
220	AC23A	- NA -
110	AC23B	DC24Q
48	AC23D	DC24S
24	AC23G	DC24W
12	- NA -	DC24R