

# COMPACT VALVE - 1/2

## Series DS2

Cat No DS2 - 01 - 05

### MANUALLY OPERATED VALVE - G1/2

#### Features

- Compact size
- Suitable for panel mounting
- Mounting provision for individual unit

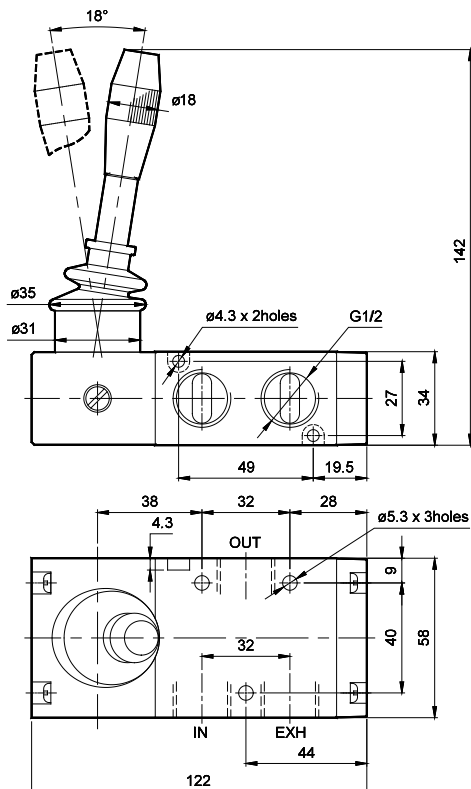


#### Technical Specifications

|                                 |  |
|---------------------------------|--|
| Model                           | DS2  |
| Type                            | 3/2, 5/2, 5/3                              |
| Design                          | Spool type                                 |
| Port Size                       | Inlet, Outlet, Exhaust - G1/2              |
| Medium                          | Compressed air - Dry, filtered, lubricated |
| Max. Working Pressure           | 10 bar                                     |
| Recommended oil for lubrication | ISO VG32 (Servo system 32)                 |
| Ambient / Medium temperature    | 5° - 60° C                                 |
| Flow ®                          | 3500 lts/min                               |
| Materials of construction       | Aluminium, Nitrile, Brass, Acetal          |

@ Inlet pressure 6 bar, and pressure drop 1 bar

### 3 / 2 Hand lever operated valve with spring return



1 - Inlet, 2 - Outlet, 3 - Exhaust

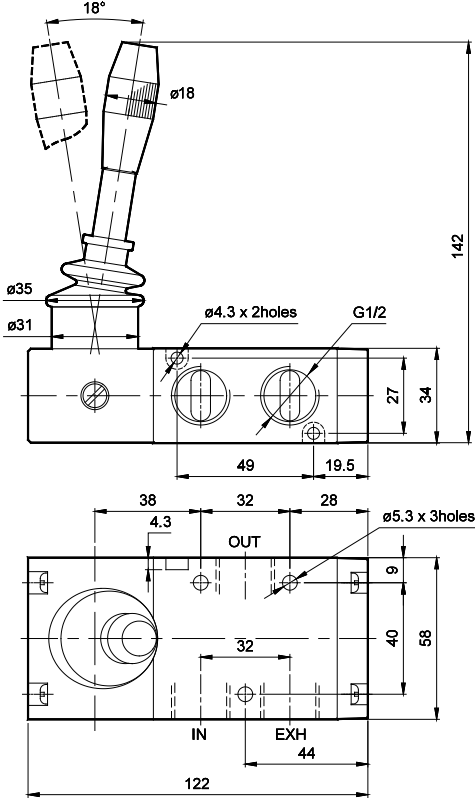
| Ordering No | DS237HR63     | DS247HR63       |
|-------------|---------------|-----------------|
| Type        | Normally open | Normally closed |
| Symbol      |               |                 |

# COMPACT VALVE - 1/2

Series DS2

Cat No DS2 - 01 - 05

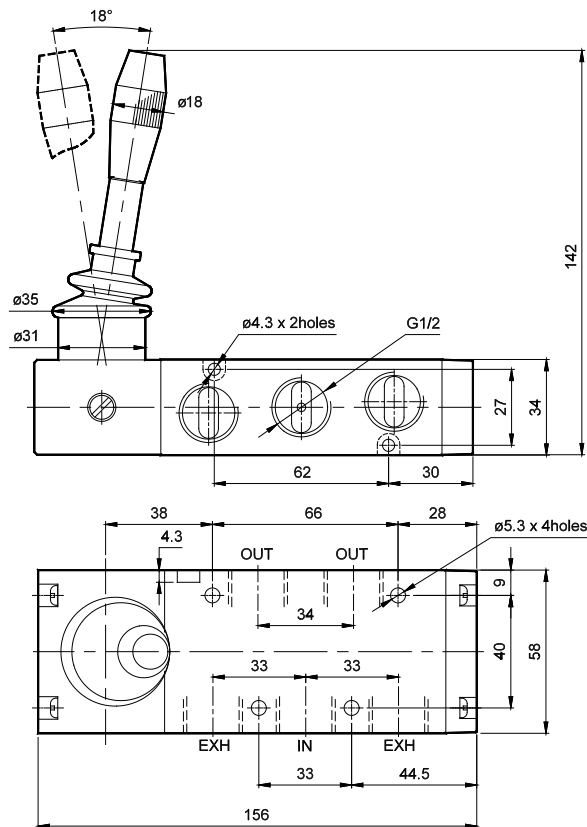
## 3 / 2 Hand lever operated valve with detent



1 - Inlet, 2 - Outlet, 3 - Exhaust

| Ordering No | DS237HD63     | DS247HD63       |
|-------------|---------------|-----------------|
| Type        | Normally open | Normally closed |
| Symbol      |               |                 |

## 5 / 2 Hand lever operated valve with spring return



1 - Inlet, 2,4 - Outlet, 3,5 - Exhaust

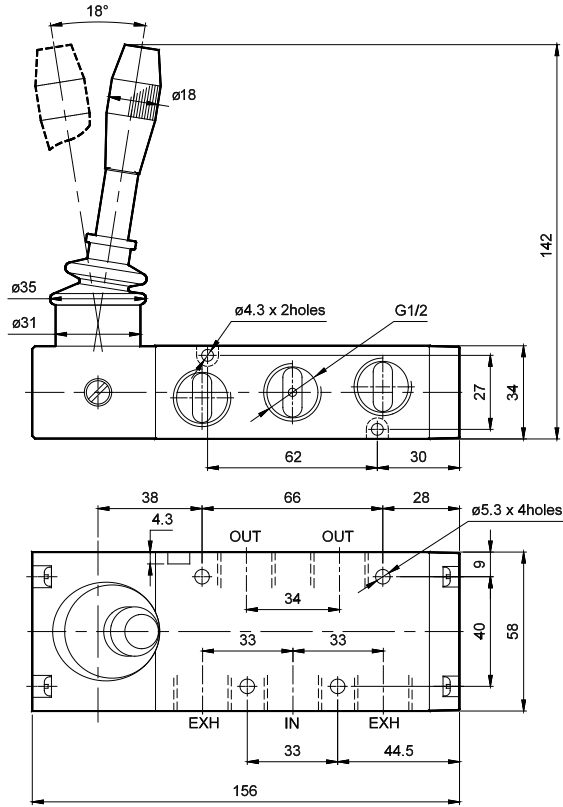
| Ordering No | DS257HR63 |
|-------------|-----------|
| Symbol      |           |

# COMPACT VALVE - 1/2

## Series DS2

Cat No DS2 - 01 - 05

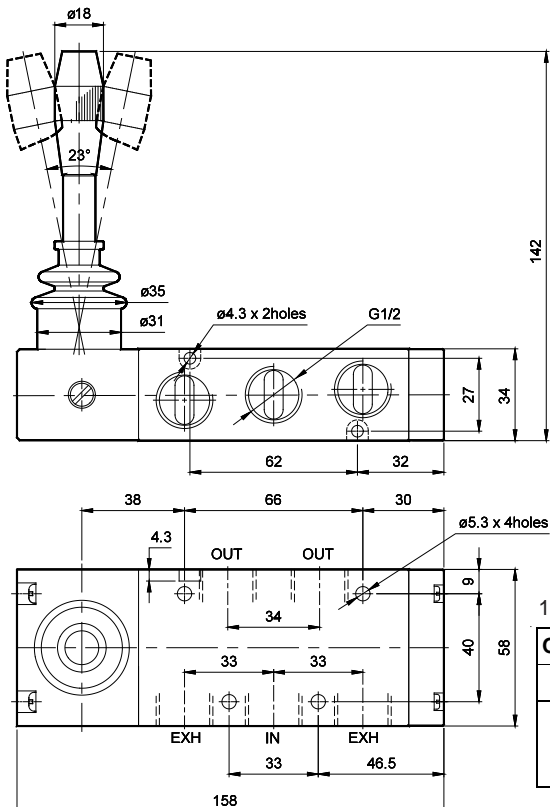
### 5 / 2 Hand lever operated valve with detent



1 - Inlet, 2,4 - Outlet, 3,5 - Exhaust

|             |           |
|-------------|-----------|
| Ordering No | DS257HD63 |
| Symbol      |           |

### 5 / 3 Hand lever operated valve with detent



1 - Inlet, 2,4 - Outlet, 3,5 - Exhaust,

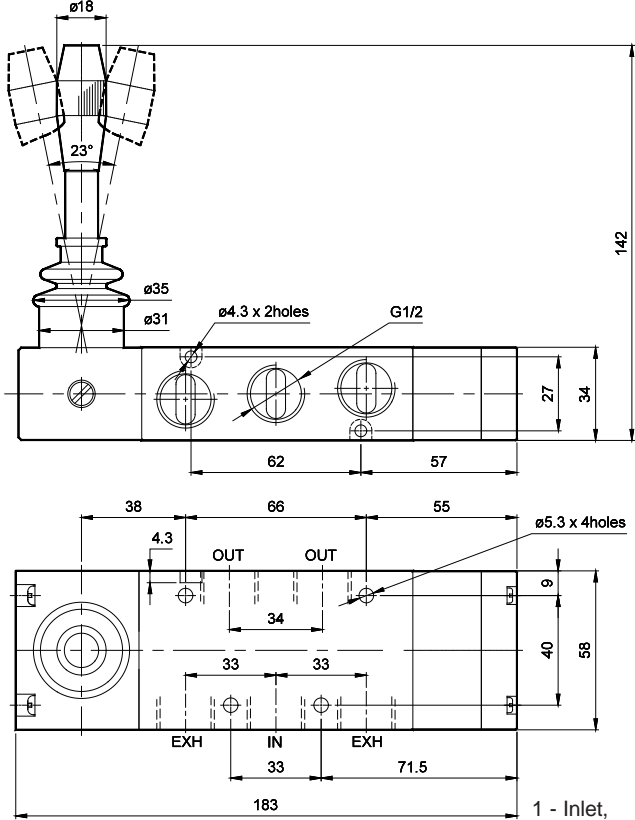
| Ordering No | DS267HD63 | DS277HD63 | DS287HD63 |
|-------------|-----------|-----------|-----------|
| Type        | Blocked   | Exhausted | Energised |
| Symbol      |           |           |           |

# COMPACT VALVE - 1/2

## Series DS2

Cat No DS2 - 01 - 05

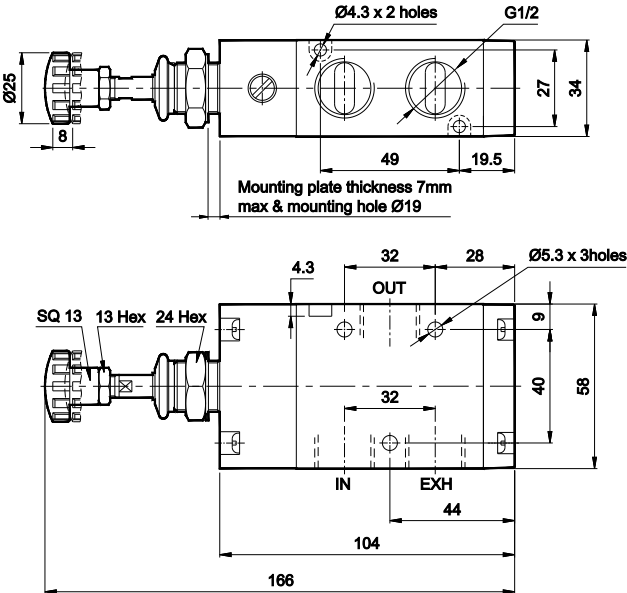
### 5 / 3 Hand lever operated valve with spring centered



1 - Inlet, 2,4 - Outlet, 3,5 - Exhaust

| Ordering No | DS267HC63 | DS277HC63 | DS287HC63 |
|-------------|-----------|-----------|-----------|
| Type        | Blocked   | Exhausted | Energised |
| Symbol      |           |           |           |

### 3 / 2 Push Pull operated valve with spring return



1 - Inlet, 2 - Outlet, 3 - Exhaust

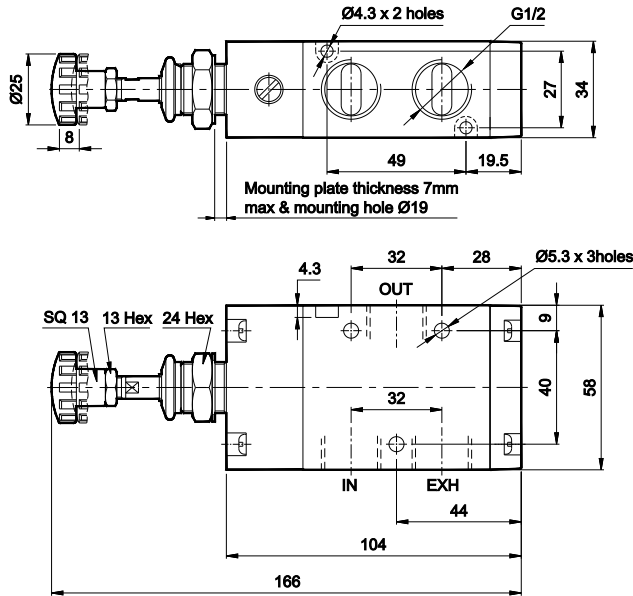
| Ordering No | DS237PR63     | DS247PR63       |
|-------------|---------------|-----------------|
| Type        | Normally open | Normally closed |
| Symbol      |               |                 |

# COMPACT VALVE - 1/2

## Series DS2

Cat No DS2 - 01 - 05

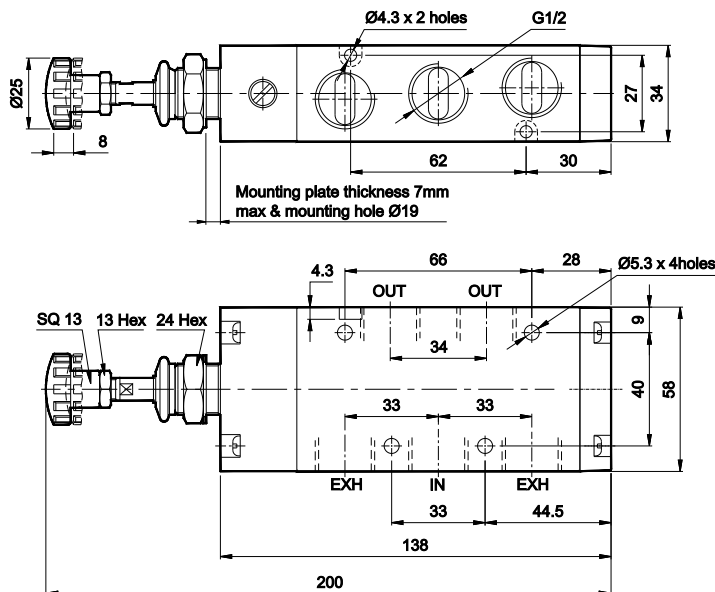
### 3 / 2 Push Pull operated valve with detent



1 - Inlet, 2 - Outlet, 3 - Exhaust

| Ordering No | DS237PD63     | DS247PD63       |
|-------------|---------------|-----------------|
| Type        | Normally open | Normally closed |
| Symbol      |               |                 |

### 5 / 2 Push Pull operated valve with spring return



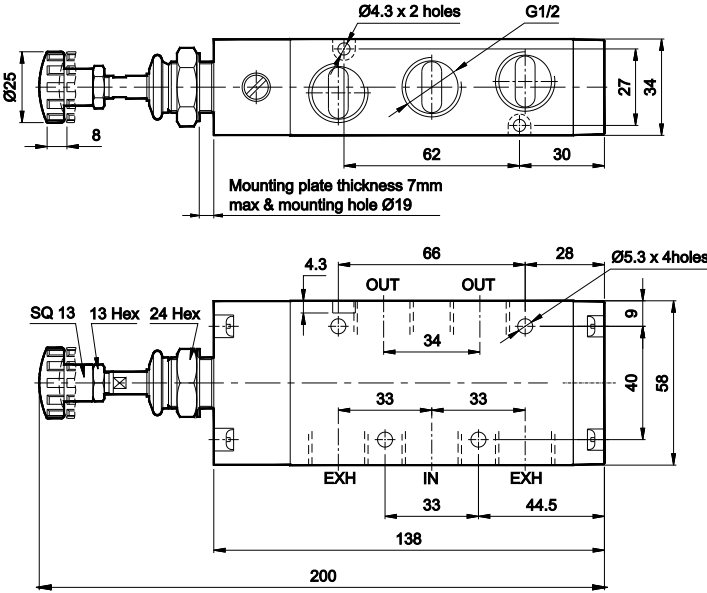
1 - Inlet, 2,4 - Outlet, 3,5 - Exhaust

| Ordering No | DS257PR63 |
|-------------|-----------|
| Symbol      |           |

**COMPACT VALVE - 1/2**  
Series DS2

Cat No DS2 - 01 - 05

**5 / 2 Push Pull operated valve with detent**



1 - Inlet, 2,4 - Outlet, 3,5 - Exhaust

|             |           |
|-------------|-----------|
| Ordering No | DS257PD63 |
| Symbol      |           |

**How to Order**

While ordering valve, mention the ordering number given in the corresponding tables.