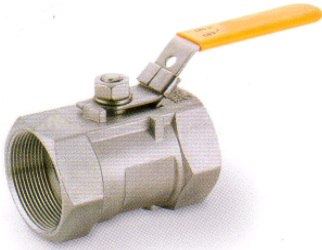


>STAINLESS BALL VALVES :>**MODEL -RV- S1PE****1Pce Reduced Bore****Size : 8-50mm**

For Chemical and Industrial applications

Blow-out Proof Stem Design

100% tested air under water

Specifications

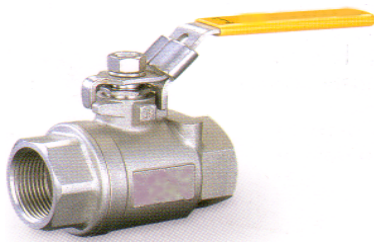
Pressure Rating 1000Psi WOG

Temperature Range -20 to 450F

End Types : Threaded

ITEM	DESCRIPTION	MATERIAL
1	Body	316
2	Body Insert	316
3	Ball	316
4	Seats	PTFE
5	Stem	316
6	Thrust Washer	PTFE
7	Stem Packing	PTFE
8	Packing Gland	304
9	Lever Nut	304
10	Lever	304
11	Sleeve	Plastic
12		

ITEM	8mm	10mm	15mm	20mm	25mm	32mm	40mm	50mm	
L	48mm	48mm	55mm	59mm	70mm	75mm	83		
Wgt/kg	0.07kg	0.10kg	0.16kg	0.30kg	0.36kg	0.58kg	0.76kg		

*Weight Not Including Locking device***MODEL -RV- S2PE****2Pce Full Bore****Size : 8-100mm**

For Chemical and Industrial applications

Blow-out Proof Stem Design

100% tested air under water

Specifications

Pressure Rating 1000Psi WOG

Temperature Range -20 to 450F

End Types : Threaded

ITEM	DESCRIPTION	MATERIAL
1	Body	316
2	Body Insert	316
3	Ball	316
4	Seats	PTFE
5	Stem	316
6	Thrust Washer	PTFE
7	Stem Packing	PTFE
8	Packing Gland	304
9	Lever Nut	304
10	Lever	304
11	Sleeve	Plastic

ITEM	15mm	20mm	25mm	32mm	40mm	50mm	65mm	80mm	100mm
L	55mm	59mm	70mm	75mm	83	115mm	140mm	168mm	200mm
Wgt/kg	0.16kg	0.30kg	0.36kg	0.58kg	0.76kg	1.85kg	3.80kg	6.00kg	10.40kg

*Weight Not Including Locking device***MODEL -RV- S3PE****3Pce Full Bore****Size : 8-100mm**

For Chemical and Industrial applications

Blow-out Proof Stem Design

100% tested air under water

Specifications

Pressure Rating 1000Psi WOG

Temperature Range -20 to 450F

End Types : Threaded

ITEM	DESCRIPTION	MATERIAL
1	Body	316
2	Body Insert	316
3	Ball	316
4	Seats	PTFE
5	Stem	316
6	Thrust Washer	PTFE
7	Stem Packing	PTFE
8	Packing Gland	304
9	Lever Nut	304
10	Lever	304
11	Sleeve	Plastic

ITEM	15mm	20mm	25mm	32mm	40mm	50mm	65mm	80mm	100mm
L	73mm	84mm	85mm	120mm	122mm	130mm	170mm	185mm	260mm
Wgt/kg	0.64kg	0.88kg	0.88kg	2.50kg	2.30kg	6.75kg	6.75kg	8.00kg	16kg

Weight Not Including Locking device

BALL VALVE GENERAL PURPOSE LEVER HANDLE F X F

BV

Series

Specifications

- Working temperature -20°C to 120°C
- Maximum pressure rating 2100kPa

Features

- Available in sizes 15mm [1/2"] to 100mm [4"]
- Full bore
- 100% pressure tested
- Blow proof spindle
- Stainless steel handle

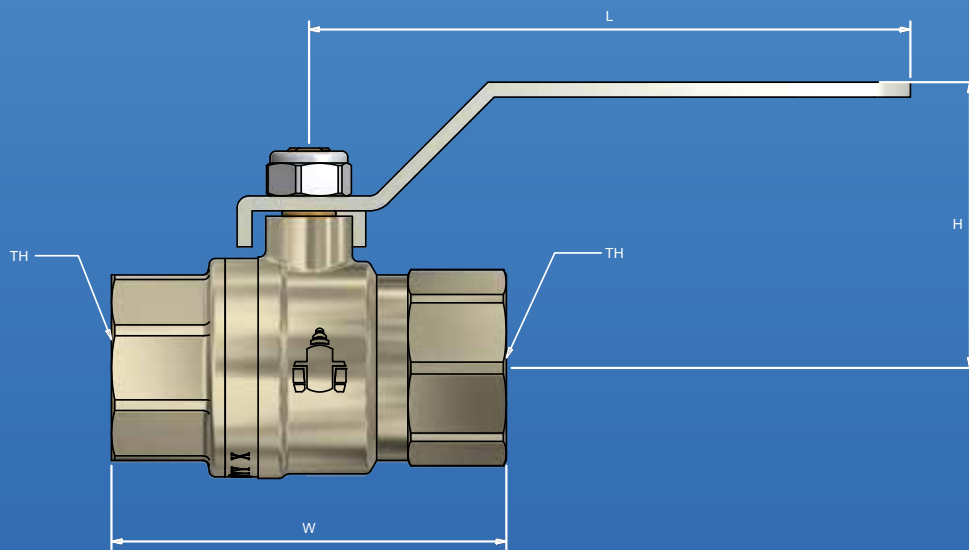


AllTech Pneumatics Pty Ltd

Email: sales@atttechpneumatics.com.au

www.alltechpneumatics.com.au

BALL VALVE GENERAL PURPOSE LEVER HANDLE F X F



Sizing Chart MM

	H	L	W	TH
BV01	44	88	51	Rp 1/2"
BV02	47	99	58	Rp 3/4"
BV03	62	118	70	Rp 1"
BV04	69	118	81	Rp 1 1/4"
BV05	80	142	88	Rp 1 1/2"
BV06	93	142	107	Rp 2"
BV07	125	232	136	Rp 2 1/2"
BV08	122	232	163	Rp 3"
BV09	157	255	180	Rp 4"

Material Chart

Part	Material
Body	Brass
Seal	PTFE
Ball	Brass
Bonnet	Brass
Spindle	Brass
O Ring	HNBR
Handle	Stainless Steel
Lock Nut	Stainless Steel

AllTech Pneumatics Pty Ltd

Email: sales@atttechpneumatics.com.au

www.alltechpneumatics.com.au

BALL VALVE DUAL APPROVED BUTTERFLY HANDLE F X F

WBFG

Series

Specifications

- Working temperature
WATER -20°C to 120°C
GAS -20°C to 120°C
- Max. pressure rating
WATER 2500kPa
GAS 2100kPa

Features

- Watermarked and AGA approved
- Full Bore
- 100% pressure tested
- Available in sizes 15mm [1/2"]
to 20mm [3/4"]
- Blow proof spindle

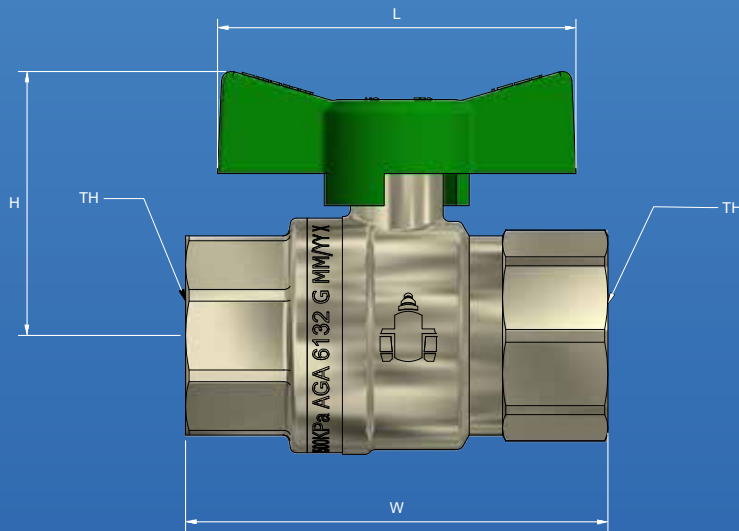


AllTech Pneumatics Pty Ltd

Email: sales@alltechpneumatics.com.au

www.alltechpneumatics.com.au

BALL VALVE DUAL APPROVED BUTTERFLY HANDLE F X F



Sizing Chart MM

	H	L	W	TH
WB15FG	38	58	58	R 1/2"
WB20FG	41	66	66	R 3/4"
WB25FG	45	81	81	Rp 1"

Material Chart

Part	Material
Body	DR Brass
Bonnet	DR Brass
Spindle	DR Brass
Ball	DR Brass
Gland Nut	Brass
Seal	PTFE
Packing Gland	PTFE
Handle	Aluminium
Handle Nut	Brass

AllTech Pneumatics Pty Ltd

Email: sales@alltechpneumatics.com.au

www.alltechpneumatics.com.au

BALL VALVE DUAL APPROVED LEVER HANDLE F X F

WF

Series

Specifications

- Working temperature -20°C to 120°C
- Maximum pressure rating
Water 2500kPa
Gas 2100kPa

Features

- Watermarked and AGA approved
- Available in sizes 15mm [1/2"]
to 100mm [4"]
- Full bore
- 100% pressure tested
- Blow proof spindle
- Stainless Steel handle

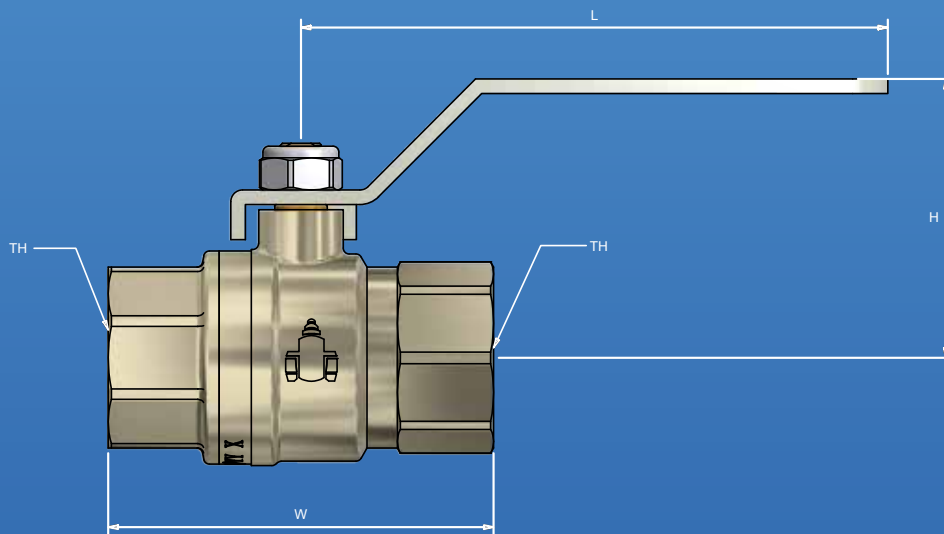


AllTech Pneumatics Pty Ltd

Email: sales@alltechpneumatics.com.au

www.alltechpneumatics.com.au

BALL VALVE DUAL APPROVED LEVER HANDLE F X F



Sizing Chart MM

	H	W	L	TH
W06F	44	46	90	Rp 1/4"
W15F	44	58	101	Rp 1/2"
W20F	48	66	101	Rp 3/4"
W25F	52	81	101	Rp 1"
W32F	71	92	140	Rp 1 1/4"
W40F	77	102	140	Rp 1 1/2"
W50F	85	121	140	Rp 2"
W65F	110	150	232	Rp 2 1/2"
W80F	122	177	232	Rp 3"
W100F	136	212	232	Rp 4"

Material Chart

Part	Material
Body	Brass
Seal	PTFE
Ball	Brass
Bonnet	Brass
Spindle	Brass
O Ring	FKM
Handle	Stainless Steel
Lock Nut	Stainless Steel