



# SPRING CHECK VALVE WATERMARKED

## SP Series

### Specifications

- Temperature range -20°C to 60°C
- Max. working pressure 1600KPa

### Features

- DR Brass
- Can be installed vertical or horizontal
- Excellent flow rates

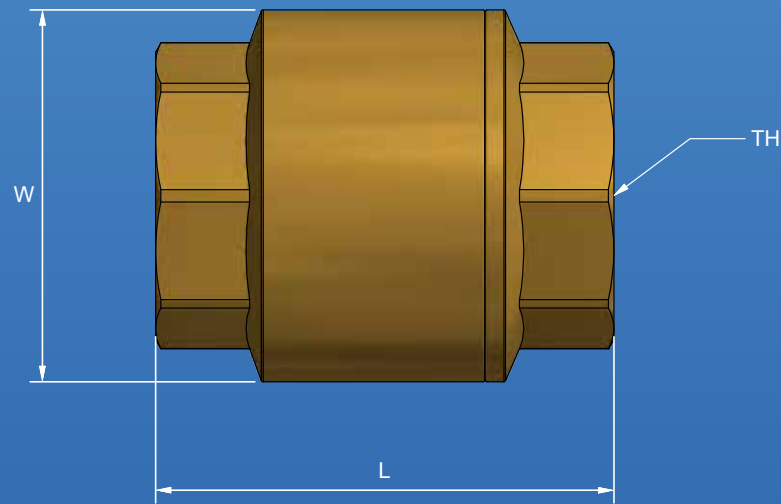


Austworld  
PO Box 311  
Ashmore City  
QLD 4214

P: 1300 780 430  
F: 1300 780 441  
E: [info@austworld.com.au](mailto:info@austworld.com.au)  
W: [www.austworld.com.au](http://www.austworld.com.au)



# SPRING CHECK VALVE WATERMARKED



## Sizing Chart MM

	W	L	TH
SP10	31	42	Rp 3/8"
SP15	33	45	Rp 1/2"
SP20	42	49	Rp 3/4"
SP25	47	54	Rp 1"
SP32	57	58	Rp 1 1/4"
SP40	67	66	Rp 1 1/2"
SP50	80	72	Rp 2"
SP65	103	90	Rp 2 1/2"
SP80	110	97	Rp 3"
SP100	142	110	Rp 4"

## Material Chart

Part	Material
Washer	EPDM
Stem	POM
Body	Brass
Cap	Brass
Spring	Stainless Steel



Austworld  
PO Box 311  
Ashmore City  
QLD 4214

P: 1300 780 430  
F: 1300 780 441  
E: [info@austworld.com.au](mailto:info@austworld.com.au)  
W: [www.austworld.com.au](http://www.austworld.com.au)