

COMPACT VALVE - 1/4

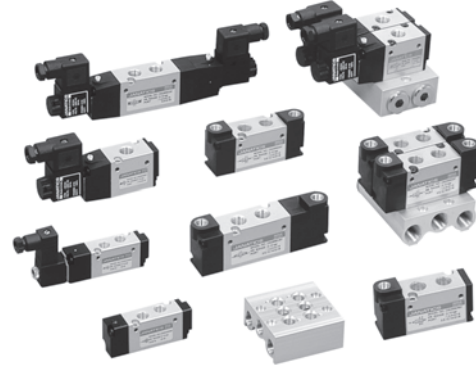
Series DS2

Cat No DS2 - 01 - 08

COMPACT VALVE - G1/4

Features

- Suitable for manifold mounting
- Mounting provision for individual unit
- Compact size
- Manual override
- Wide range of manifolds available
- Wide range of coil voltages



Important

To prevent malfunctioning of the valve while operating the manual override (or) while operating the solenoid coil, ensure to have a minimum air supply of 1200 lpm to the valve through a tube of minimum Ø8 outer diameter (with minimum Ø5.5 internal diameter)

Technical Specification

Model	DS2	
Type	3/2	5/2 & 5/3
Design	Spool type	
Port Size	Inlet, Outlet, Exhaust - G1/4, External pilot - G1/8	Inlet, Outlet - G1/4, Exhaust, External pilot - G1/8
Medium	Compressed air, filtered, lubricated	
Working Pressure range	2 - 10 bar	
External pilot pressure (ER model)	2 - 4 bar	
Recommended oil for lubrication	ISO VG32 (Servo system 32)	
Ambient / Medium temperature	5° - 60° C	
Flow [®]	1200 lts/min	
Materials of construction	Aluminium, Nitrile, Brass, Acetal, PBT, Zinc	
Electrical		
Coil width	22 mm	
Voltage (V) ± 10%	AC (50 Hz) - 24, 48, 110, 220	
	DC - 12, 24, 48, 110	
Power consumption	AC - 6 VA, DC - 5 W	
Duty cycle	Continuous	
Class of insulation	Class F	
Type of coil protection	IP65	

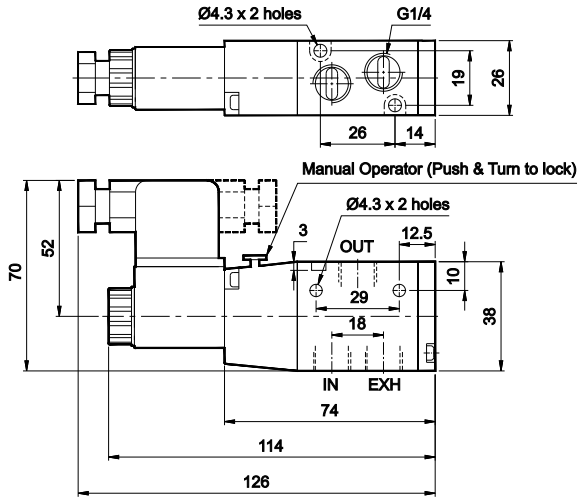
@ Inlet pressure 6 bar, and pressure drop 1 bar

COMPACT VALVE - 1/4

Series DS2

Cat No DS2 - 01 - 08

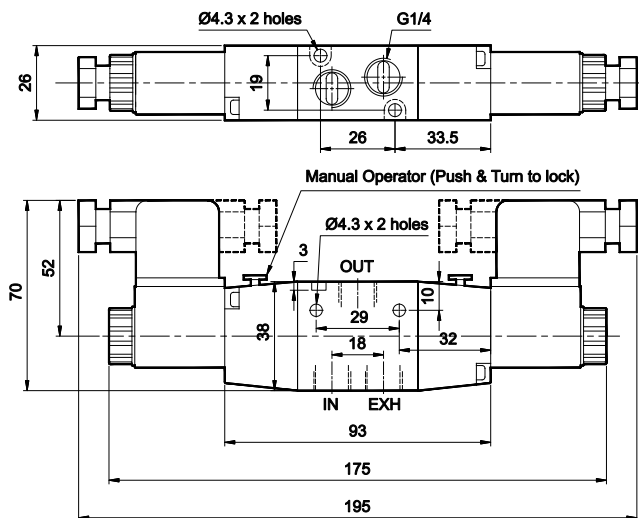
3 / 2 Single Solenoid pilot operated valve with spring return



1 - Inlet, 2 - Outlet, 3 - Exhaust

Ordering No*	DS235SR61	DS245SR61
Type	Normally open	Normally closed
Symbol		

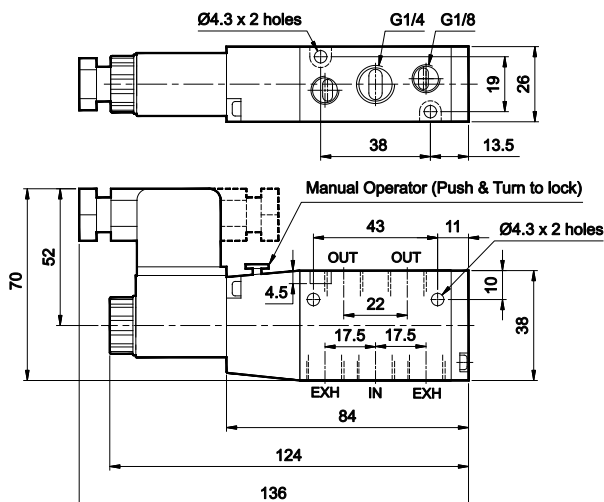
3 / 2 Double solenoid pilot operated valve



1 - Inlet, 2 - Outlet, 3 - Exhaust

Ordering No*	DS235SS61	DS245SS61
Type	Normally open	Normally closed
Symbol		

5 / 2 Single solenoid pilot operated valve with spring return



1 - Inlet, 2,4 - Outlet, 3,5 - Exhaust

Ordering No*	DS255SR61
Symbol	

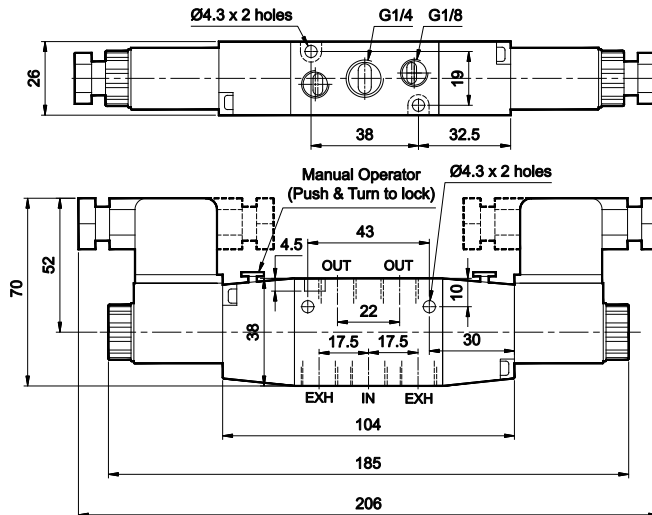
* For ordering No, voltage to be added. Refer page no. 2.3.18

COMPACT VALVE - 1/4

Series DS2

Cat No DS2 - 01 - 08

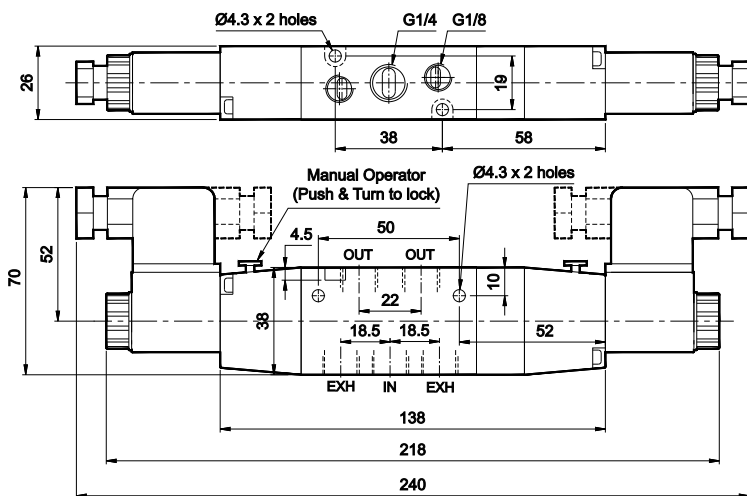
5 / 2 Double solenoid pilot operated valve



1 - Inlet, 2,4 - Outlet, 3,5 - Exhaust

Ordering No*	DS255SS61
Symbol	

5 / 3 Double solenoid pilot operated valve with spring centered



1 - Inlet, 2,4 - Outlet, 3,5 - Exhaust

Ordering No*	DS265SC61	DS275SC61	DS285SC61
Type	Blocked	Exhausted	Energised
Symbol			

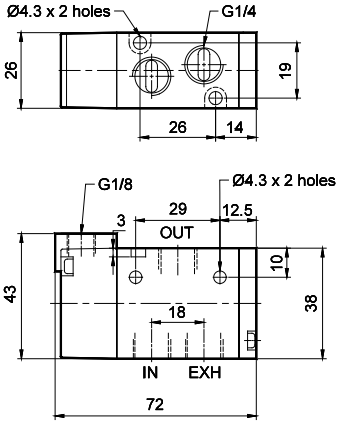
* For ordering No, voltage to be added. Refer page no. 2.3.18

COMPACT VALVE - 1/4

Series DS2

Cat No DS2 - 01 - 08

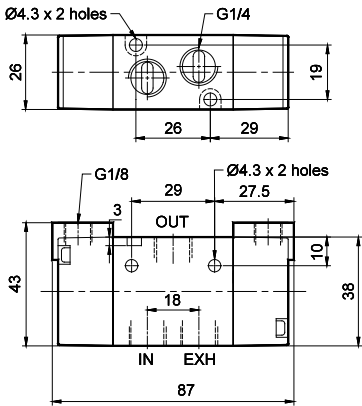
3 / 2 Single External pilot operated valve with spring return



1 - Inlet, 2 - Outlet, 3 - Exhaust 14 - External pilot

Ordering No	DS235ER61	DS245ER61
Type	Normally open	Normally closed
Symbol		

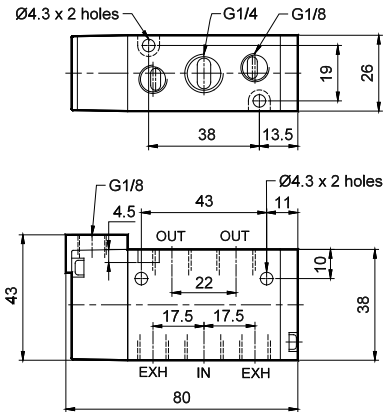
3 / 2 Double External pilot operated valve



1 - Inlet, 2 - Outlet, 3 - Exhaust 14,12 - External pilot

Ordering No	DS235EE61	DS245EE61
Type	Normally open	Normally closed
Symbol		

5 / 2 Single External pilot operated valve with spring return



1 - Inlet, 2,4 - Outlet, 3,5 - Exhaust, 14 - External pilot

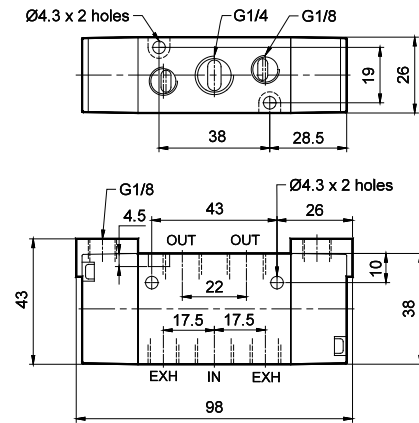
Ordering No	DS255ER61
Symbol	

COMPACT VALVE - 1/4

Series DS2

Cat No DS2 - 01 - 08

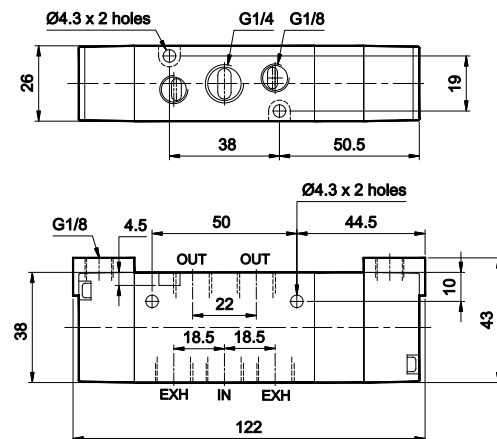
5 / 2 Double External pilot operated valve



1 - Inlet, 2,4 - Outlet, 3,5 - Exhaust, 14,12 - External pilot

Ordering No	DS255EE61
Symbol	

5 / 3 Double External pilot operated valve with spring centered



1 - Inlet, 2,4 - Outlet, 3,5 - Exhaust, 14,12 - External pilot

Ordering No	DS265EC61	DS275EC61	DS285EC61
Type	Blocked	Exhausted	Energised
Symbol			

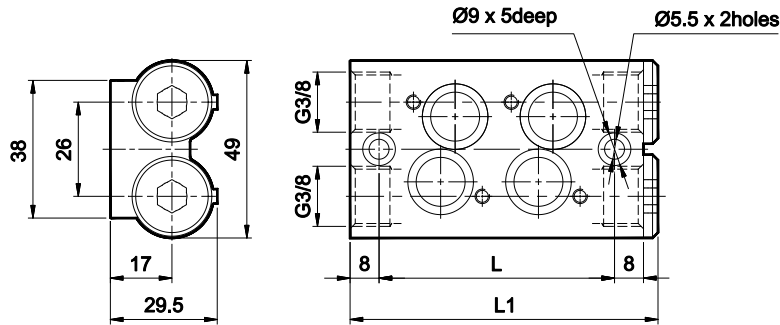
COMPACT VALVE - 1/4

Series DS2

Cat No DS2 - 01 - 08

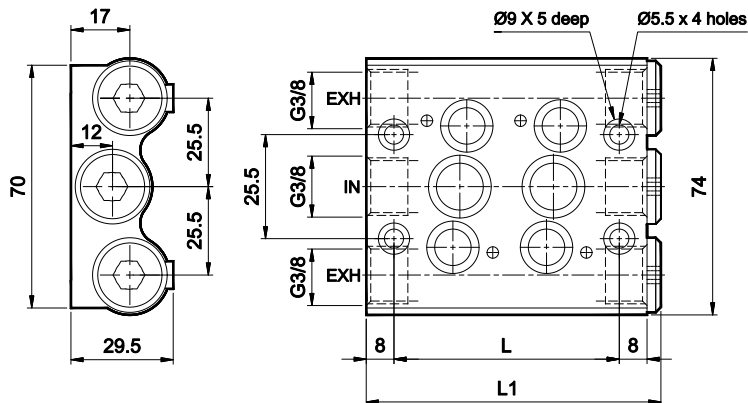
MANIFOLDS FOR COMPACT VALVE

Manifold - Type M051 (for 3/2 valves)



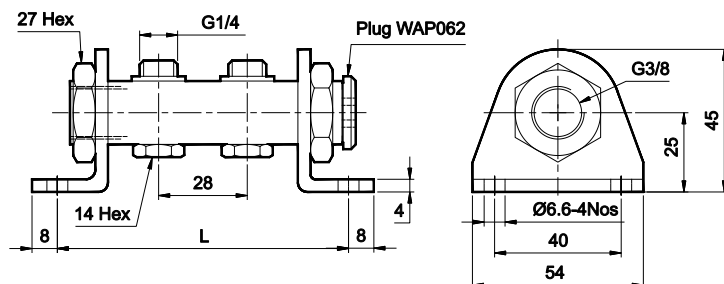
For mounting	L	L1	Ordering No
2 valves	65	85	M0510202
4 valves	119	139	M0510204
6 valves	173	193	M0510206
8 valves	227	247	M0510208

Manifold - Type M003 (for 5/2, 5/3 valves)



For mounting	L	L1	Ordering No
2 valves	65	85	M0030202
4 valves	119	139	M0030204
6 valves	173	193	M0030206
8 valves	227	247	M0030208

Manifold - Type M004 (for 3/2, 5/2, 5/3 valves)



For mounting	L	Ordering No
2 valves	92	M0040202
4 valves	148	M0040204
6 valves	204	M0040206
8 valves	260	M0040208

Note : While mounting 3/2 compact valves in M004 type manifold, use only AS0161 silencers

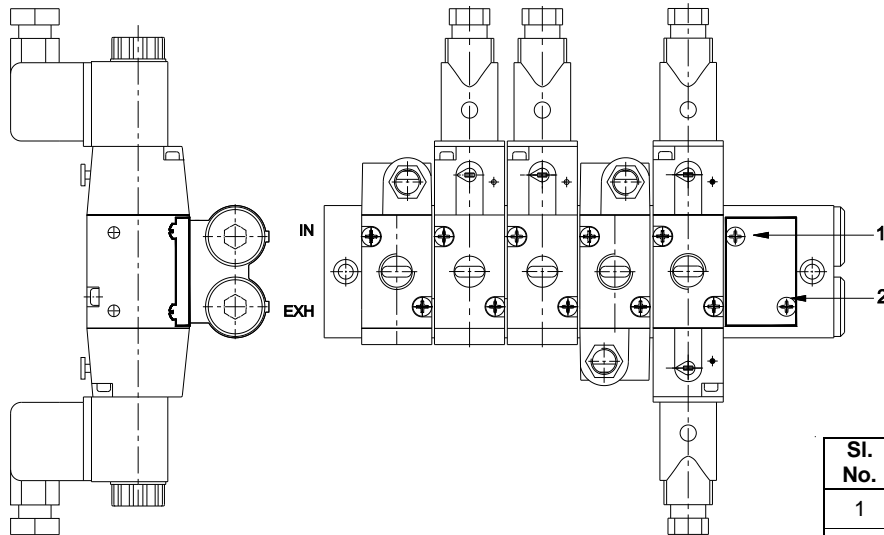
COMPACT VALVE - 1/4

Series DS2

Cat No DS2 - 01 - 08

ACCESSORIES FOR COMPACT VALVE

Cover plate assembly for Manifold Type M051

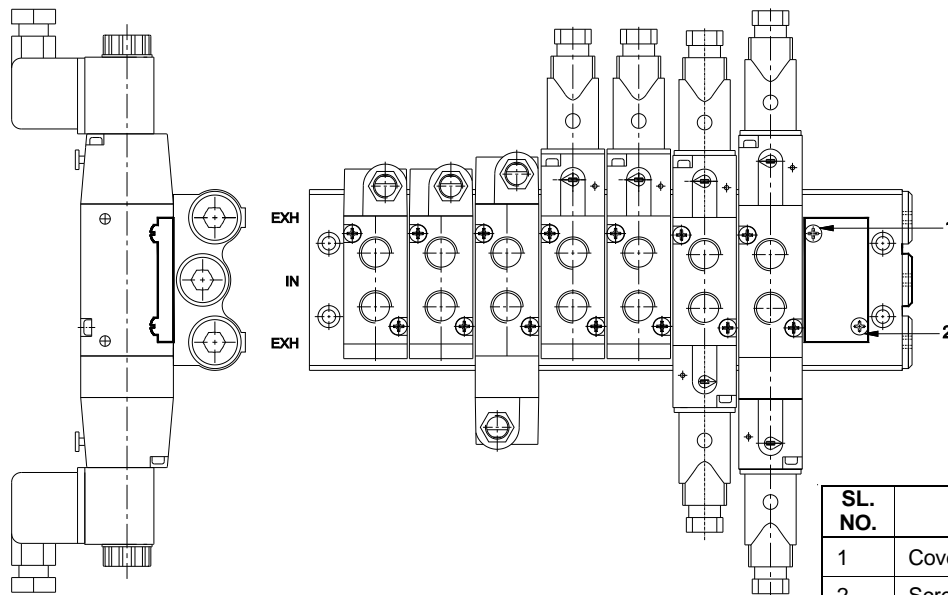


Sl. No.	Item	Qty.	Ordering No
1	Cover plate	1	A4C03
2	Screw – M4X0.7	2	

Application:

The cover plate assembly can be used to plug the unutilised position in a manifold. For eg., if it is required to mount only 5 valves on manifold no. M0510206, the sixth position can be plugged and made dummy using a cover plate assembly. (refer picture above)

Cover plate assembly for Manifold Type M003



SL. NO.	Item	Qty.	Ordering No
1	Cover plate	1	A4C02
2	Screw – M4X0.7	2	

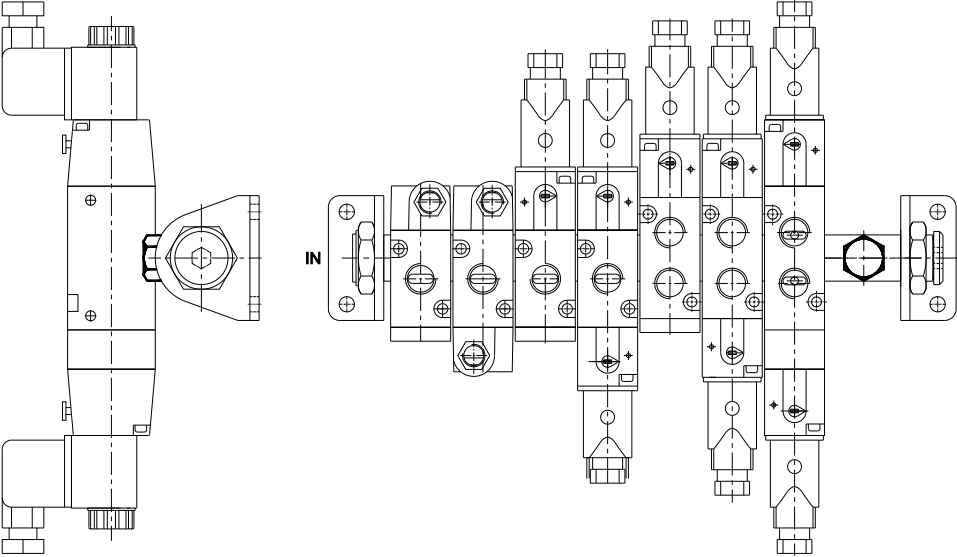
Application:

The cover plate assembly can be used to plug the unutilised position in a manifold. For eg., if it is required to mount only 7 valves on manifold no. M0030208, the eighth position can be plugged and made dummy using a cover plate assembly. (refer picture above)

COMPACT VALVE - 1/4
Series DS2

Cat No DS2 - 01 - 08

Dummy plug for Manifold Type M004



Item	Ordering No
Dummy plug	A4C01

Application:

This dummy plug can be used to plug the unutilised position in a manifold. For eg., if it is required to mount only 7 valves on manifold no. M0040208, the eighth position can be plugged and made dummy using a dummy plug. (refer picture above)

COMPACT VALVE - 1/4

Series DS2

Cat No DS2 - 01 - 08

How to order

1. Solenoid valve + “ Connectors without LED ”

While ordering Solenoid operated valves, please mention the suffix given below along with the model number to indicate the required voltage

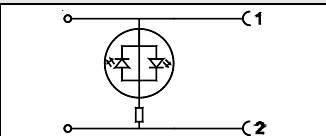
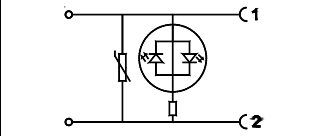
A	220V AC	Q	110V D C
B	110V AC	S	48V D C
D	48V AC	W	24V D C
G	24V AC	R	12V D C

Example

- The ordering no. for 3/2 NC Single solenoid valve, 24V D.C coil with PG cable is **DS245SR61-W**
- The ordering no. for 3/2 NC Single solenoid valve, 24V D.C coil with Moulded cable is **DS245SR61-W1**

2. Solenoid valve + “ Connectors with LED ”

While ordering Solenoid operated valves with LED connectors, given below in the corresponding tables.

Voltage		Housing Colour & Indication		LED colour		Connection type		
A	220V AC	 Transparent housing with Bipolar LED indicator confirming supply voltage	R	Red	0	PG Cable entry		
G	24V AC		 Transparent housing with Bipolar LED indicator confirming supply voltage plus varistor to give over voltage protection to the source and load			1	Moulded cable (with 2metre length)	
W	24V DC							

Example

The Ordering no for 3/2 NC Single solenoid valve (1/4"), 24V DC, connectors with LED of Transparent colour housing with Bipolar LED and varistor, Red colour LED with moulded cable: **DS245SR61-WT1R1**

Coil spare ordering no.

Coil (without connector)	Ordering no.	
	AC	DC
220	AC23A	- NA -
110	AC23B	DC24Q
48	AC23D	DC24S
24	AC23G	DC24W
12	- NA -	DC24R